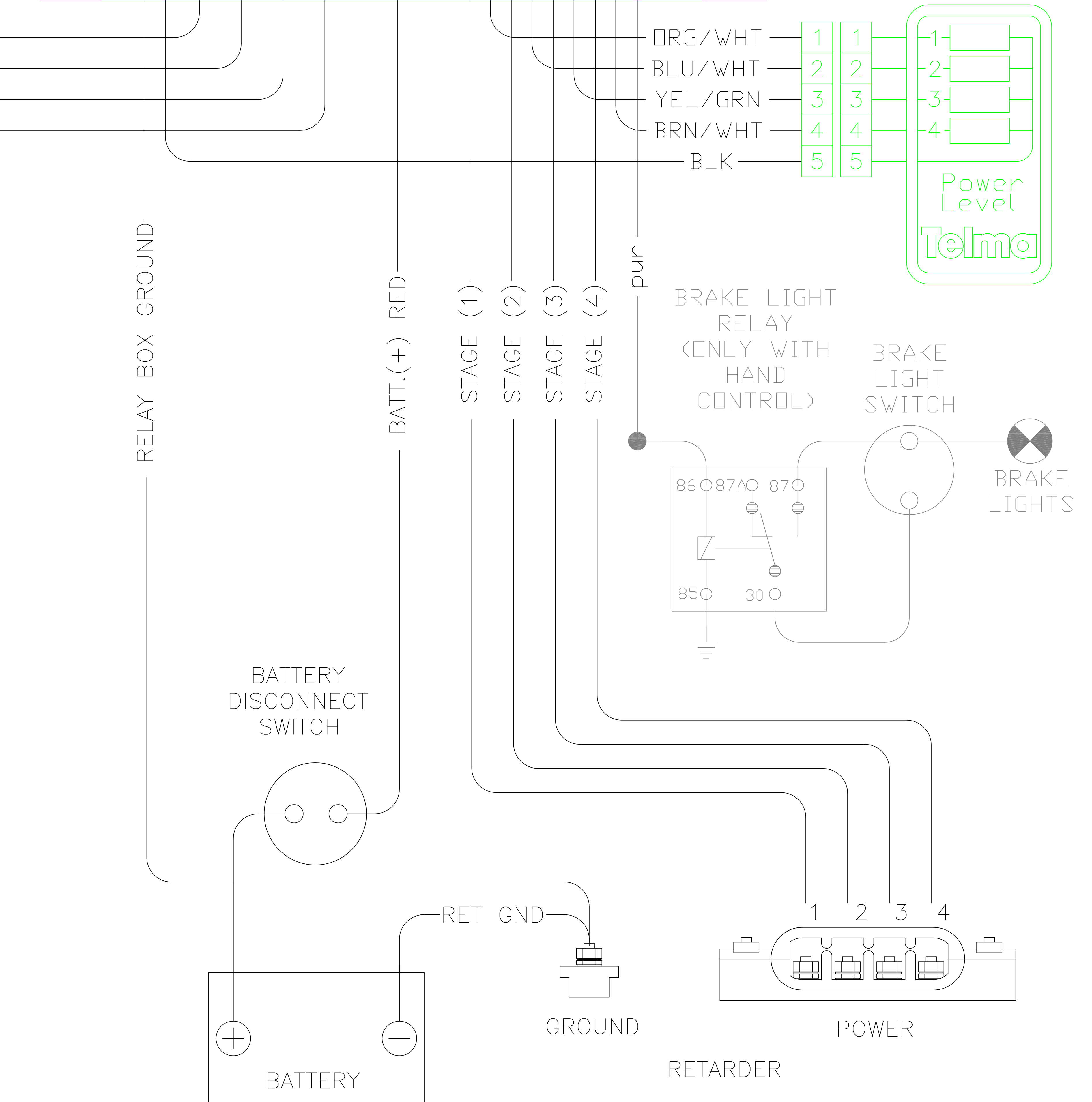
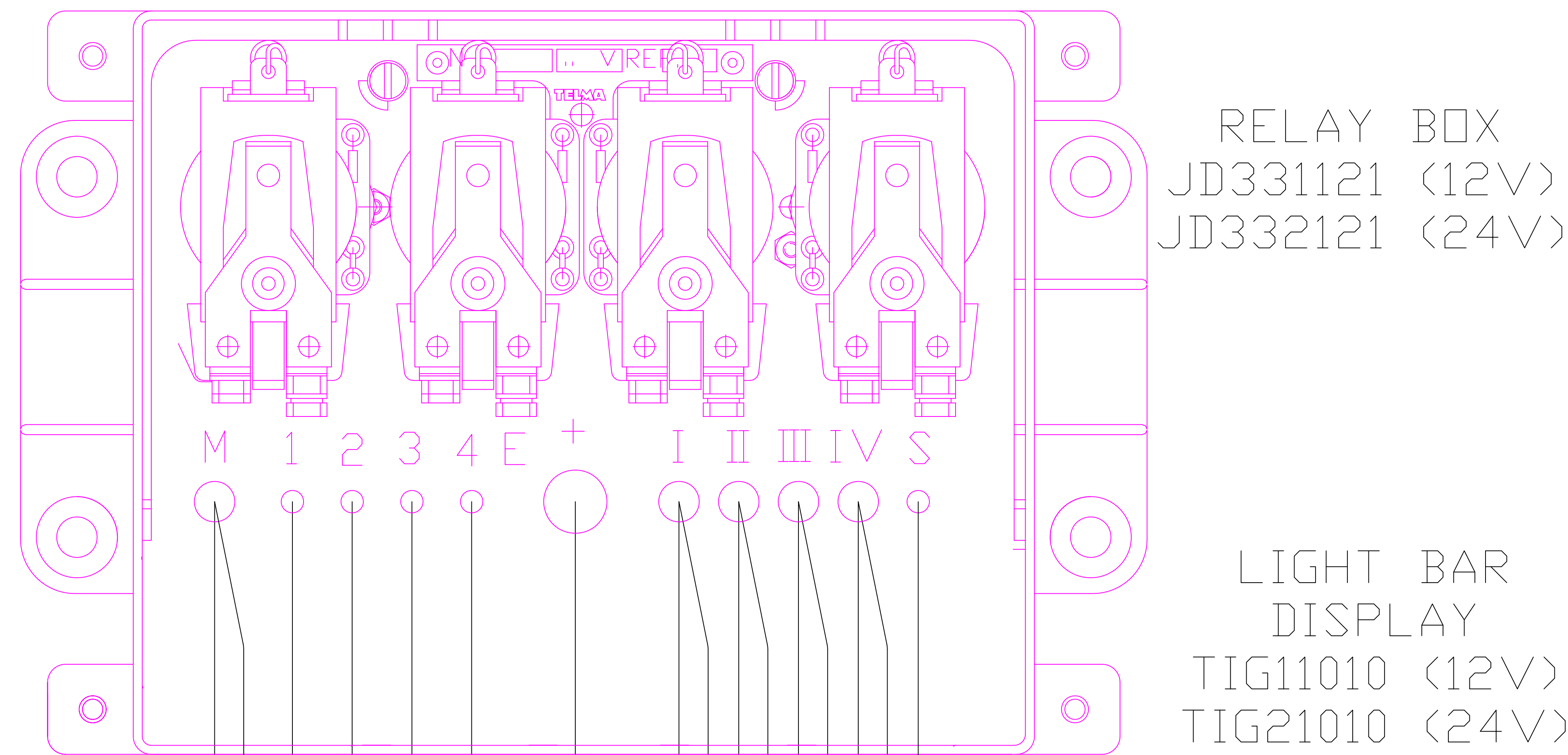
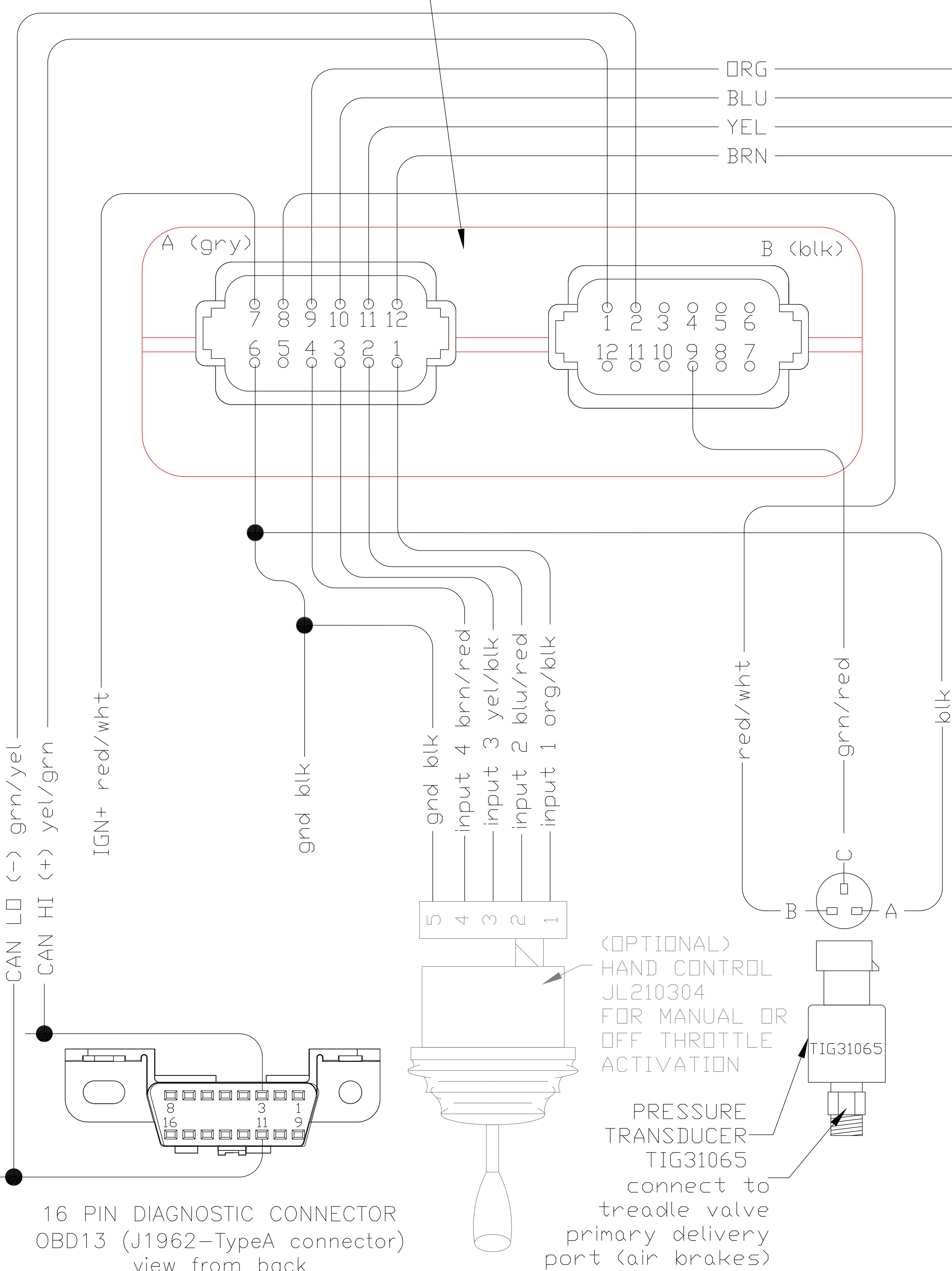


TL134077 AIR BRAKE WIRING DIAGRAM WITH TRCM2 AND J1939 OBD13 8nov19jh

J1939 CAN control features:
TRCM active outputs turn off
under the following conditions.
1) during ABS event
(with progressive reactivation)
2) Speed below 2 mph
3) Throttle position greater than 1%

Note: For Telma activation when accelerator is released
1) connect org/blk wire (TRCM gray pin 1) at hand control plug to ground for 25% activation when accelerator is released
2) connect org/blk and blu/red wire (TRCM gray pins 1 and 2) at hand control plug to ground for 50% activation when accelerator is released.
Caution: Connect with on/off switch to turn off this function under slippery conditions

TRCM
TIG31069
12V/24V



CONNECT TO PC FOR FINAL CONFIGURATION CHECK AND DIAGNOSTICS
1. set transducer voltages to stage1=1.3, stage2=1.5, stage3=1.7, stage4=1.9
2. set speed to 0 mph to test function with vehicle stopped
3. set speed back to 2 mph or less before release
4. road test to observe Telma cutoff speed.
If needed: change speed setting to desired Telma cutoff speed but do not exceed 2 mph.