

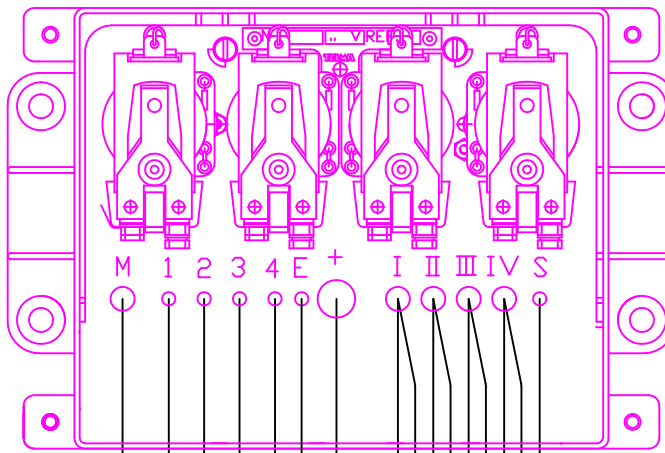
TL134067 AIR BRAKE WIRING DIAGRAM J1939 CAN and RELAY BOX index 124 21jun17jh

NOTE: FIRMWARE VERSION 03.02.03 &
LATER REQUIRED FOR J1939.
REFER TO TL103037 FOR MORE DETAILS

TRCM
TIG31062
12V/24V

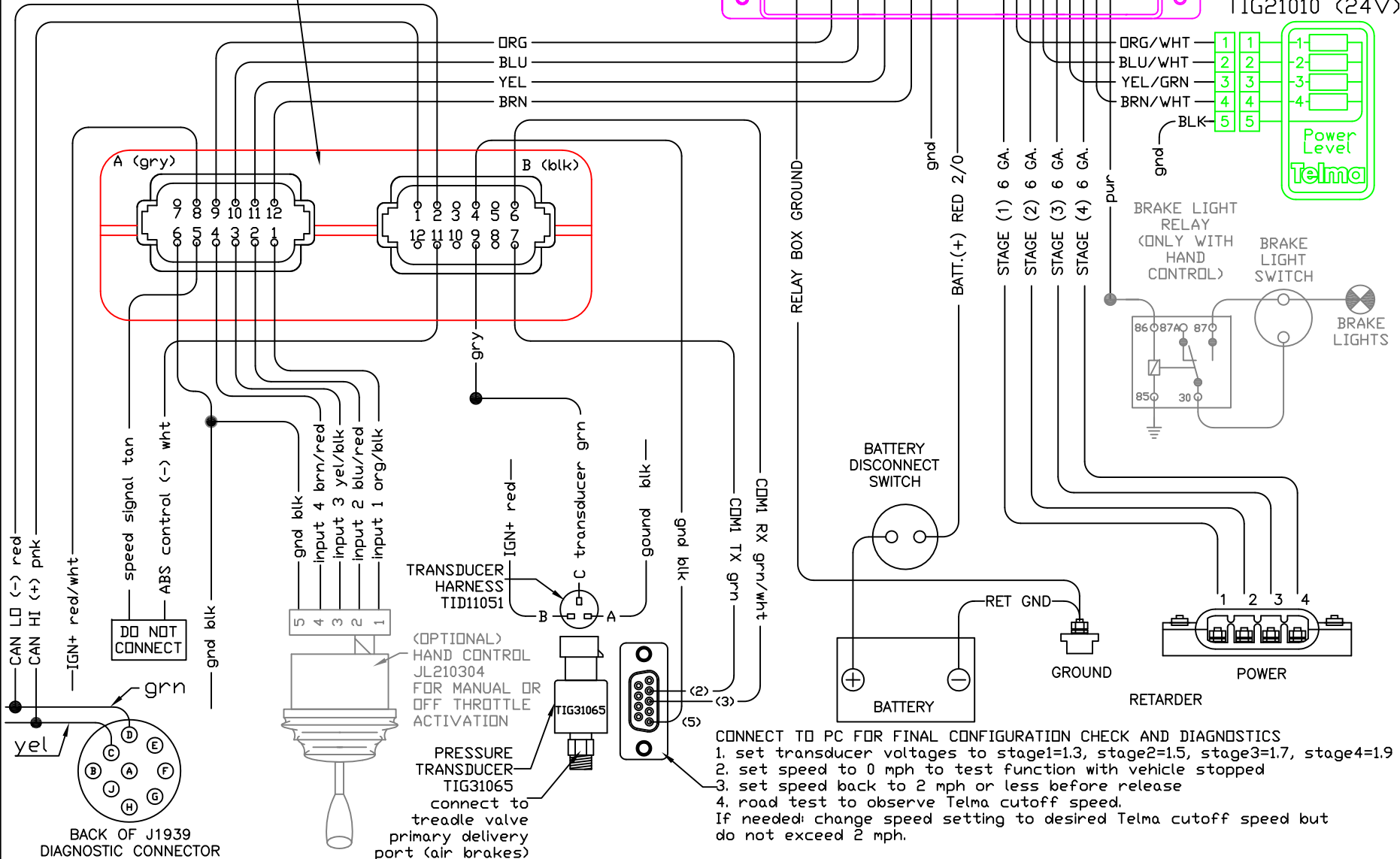
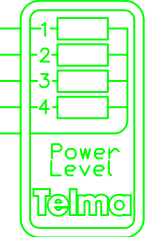
J1939 CAN control features:
TRCM active outputs turn off
under the following conditions.

- 1) during ABS event
(with progressive reactivation)
- 2) Speed below 2 mph
- 3) Throttle position greater than 1%
- 4) Cruise Control is engaged



RELAY BOX
JD331124 (12V)
JD332124 (24V)

LIGHT BAR
DISPLAY
TIG11010 (12V)
TIG21010 (24V)



CONNECT TO PC FOR FINAL CONFIGURATION CHECK AND DIAGNOSTICS

1. set transducer voltages to stage1=1.3, stage2=1.5, stage3=1.7, stage4=1.9
2. set speed to 0 mph to test function with vehicle stopped
3. set speed back to 2 mph or less before release
4. road test to observe Telma cutoff speed.

If needed: change speed setting to desired Telma cutoff speed but do not exceed 2 mph.