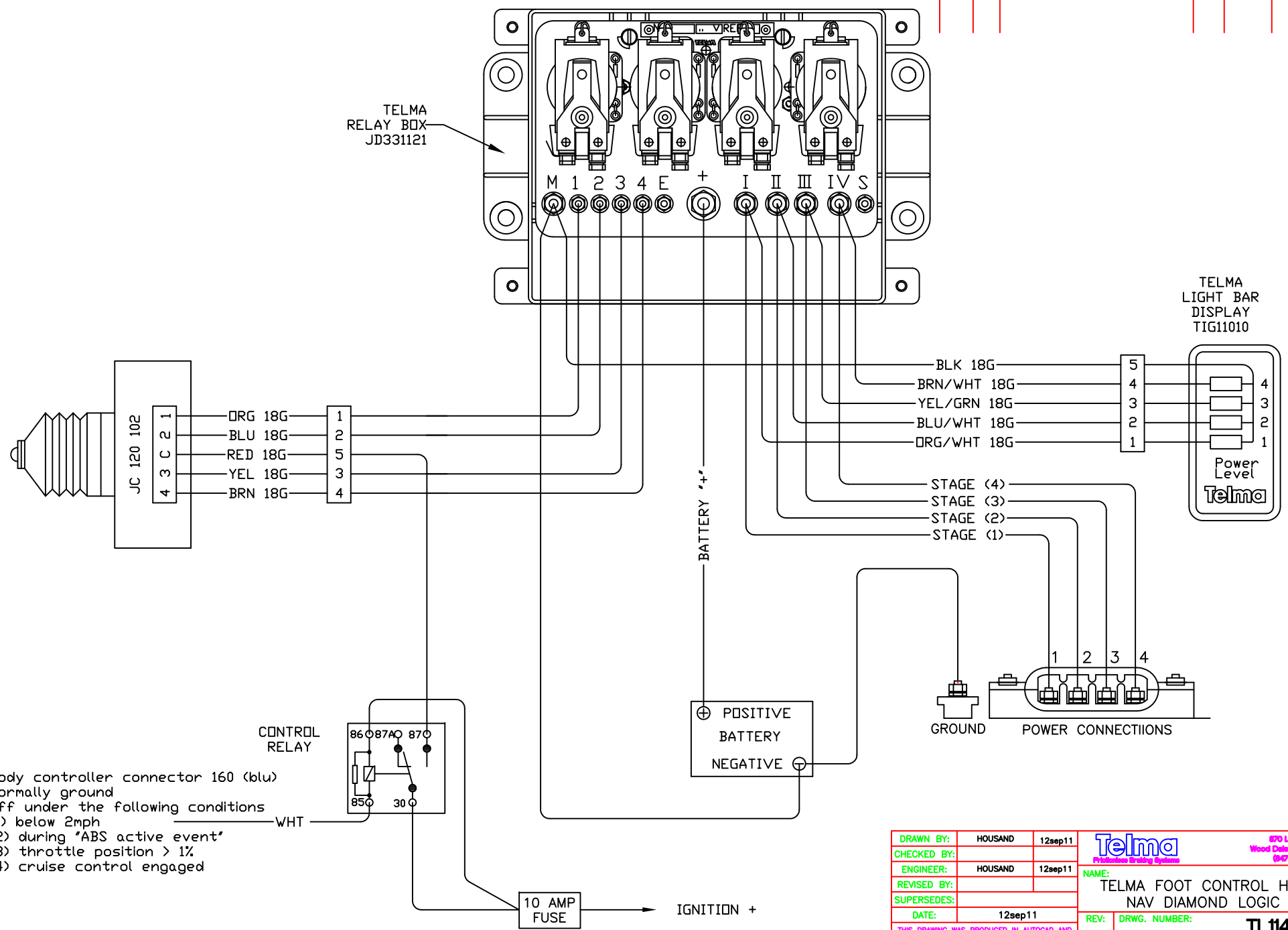


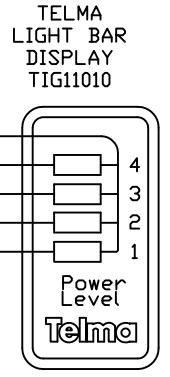
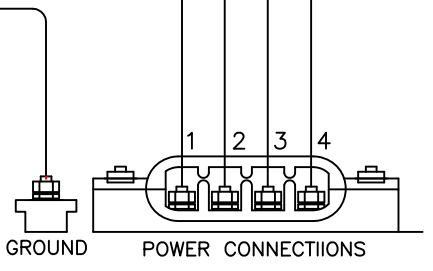
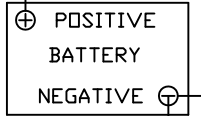
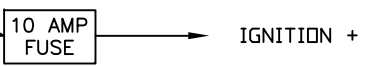
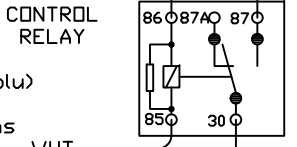
THIS DRAWING IS PROPRIETARY TO TELMA INC. RECEIPT OR POSSESSION CONFERS NO RIGHT TO USE THE SUBJECT MATTER OF THIS DRAWING OR TECHNICAL INFORMATION SHOWN; NOR THE RIGHT TO REPRODUCE THIS DRAWING OR ANY PART EXCEPT FOR THOSE SUPPLIERS OF TELMA INC. WHO RECEIVE A WRITTEN REQUEST FOR MANUFACTURE OR SIMILAR USE.

REVISIONS					
ZONE	LTR	DESCRIPTION	E.C.O.	DATE	APPROVAL

TELMA
RELAY BOX
JD331121



body controller connector 160 (blu)
normally ground
off under the following conditions
(1) below 2mph
(2) during "ABS active event"
(3) throttle position > 1%
(4) cruise control engaged



Note: refer to TL115012 for more details

DRAWN BY:	HOUSAND	12sep11
CHECKED BY:		
ENGINEER:	HOUSAND	12sep11
REVISED BY:		
SUPERSEDES:		
DATE:	12sep11	

Telma
Precision Braking Systems

870 Linsky Blvd
Wood Dale, IL, U.S.A.
(647) 696-0296

NAME:
**TELMA FOOT CONTROL HYD
NAV DIAMOND LOGIC**

REV: DRWG. NUMBER: **TL14029**

SCALE: NTS SHEET: 1 OF 1