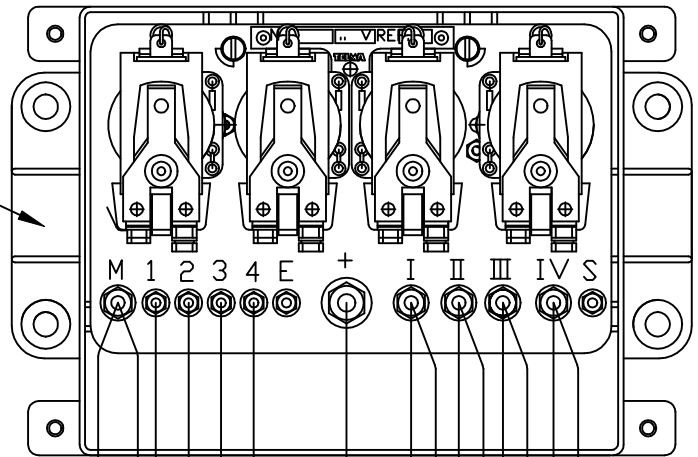


THIS DRAWING IS PROPRIETARY TO TELMA INC. RECEIPT OR POSSESSION CONFERS NO RIGHT TO USE THE SUBJECT MATTER OF THIS DRAWING OR TECHNICAL INFORMATION SHOWN; NOR THE RIGHT TO REPRODUCE THIS DRAWING OR ANY PART EXCEPT FOR THOSE SUPPLIERS OF TELMA INC. WHO RECEIVE A WRITTEN REQUEST FOR MANUFACTURE OR SIMILAR USE.

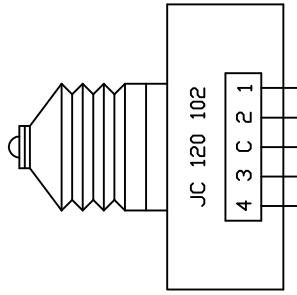
REVISIONS

ZONE	LTR	DESCRIPTION	E.C.O.	DATE	APPROVAL
	a	changes for MY2006		19dec05	
	b	add speed signal wire color		25jan08	
	c	add relay for navistar applications		20feb08	
	d	add EBCM trmls move speed signal from 3 to 1		13may08 6mar09	



RELAY BOX GROUND
DRILL HOLE OR
USING EXISTING
1/4" HOLE IN FRAME
GRIND SURFACE TO BARE METAL
PROTECT WITH ANTI-CORRSION
AFTER CONNECTION

RELAY BOX GROUND
BLK 10G



MY / Engine	Location	Connector	Pos #	Wire color
MY2005 all	Allison TCM	J-1 gry	26	n/a
MY2006 8.1L	PCM	C-2 grn	49	yel/blk
MY2006 6.6L	ECM	C-2 blk	54	yel/blk

TRANSMISSION CONTROL MODULE

ENGINE CONTROL MODULE

POWERTRAIN CONTROL MODULE

GROUND EXCEPT DURING ABS EVENT
WIRE IN HARNESS ON RIGHT FRONT FRAME RAIL

TO ELECTRONIC BRAKE CONTROL MODULE PIN 36

TO IGNITION "+"

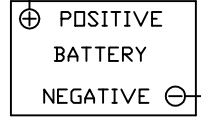
BLK 18G



IF WIRE NOT INSTALLED IN EBCM - ADD WIRE
TML AMP #965906-1 (NEWARK #89C2698)
SEAL AMP #967067-1 (NEWARK #97C7346)
www.newark.com (800 463-9275)



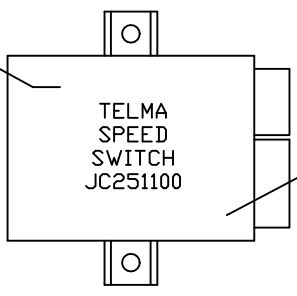
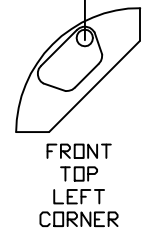
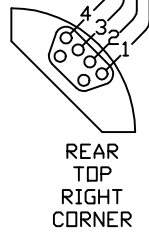
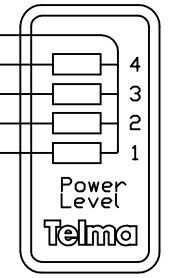
BATTERY "+ RED 2G



BATTERY NEGATIVE 2G BLK

- BLK 18G
- BRN/WHT 18G
- YEL/GRN 18G
- BLU/WHT 18G
- ORG/WHT 18G
- STAGE (4) 10G
- STAGE (3) 10G
- STAGE (2) 10G
- STAGE (1) 10G

TELMA LIGHT BAR DISPLAY TIG11010



INSTALLED UNDER DRIVER SIDE DASH

DRAWN BY:	
CHECKED BY:	
ENGINEER:	HOUSAND
REVISED BY:	
SUPERSEDES:	
DATE:	5/MAY/05

Telma 1521 Morse Avenue
Frictionless Braking Systems Elk Grove Village, IL U.S.A. (847) 595.1098

NAME: WIRING DIAGRAM C5500
HARNESS TID13019

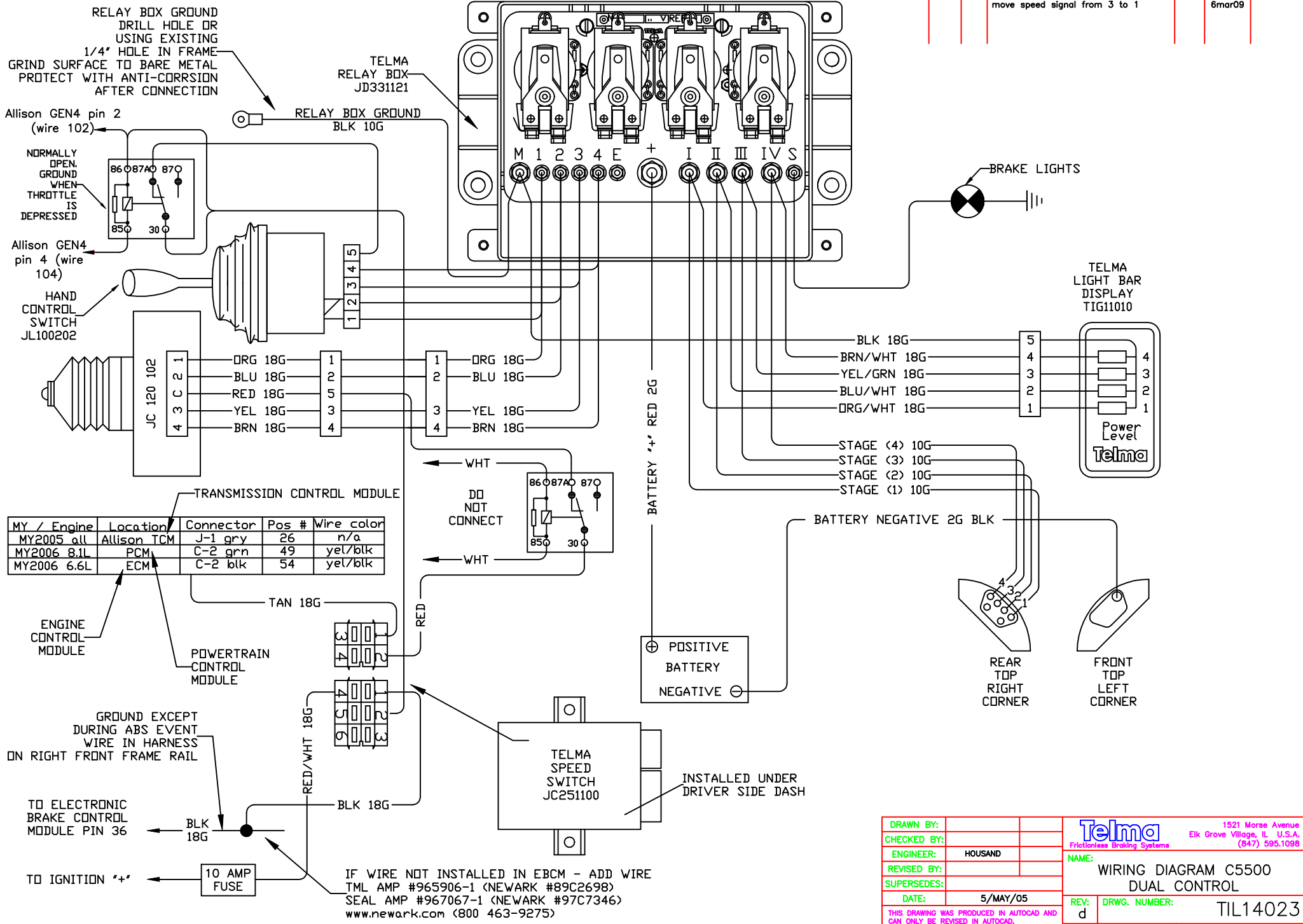
REV: d DRWG. NUMBER: TIL14023

SCALE: NTS SHEET: 1 OF 1

THIS DRAWING WAS PRODUCED IN AUTOCAD AND CAN ONLY BE REVISED IN AUTOCAD. ANY MANUAL CHANGES DONE TO THIS DRAWING WILL BE IGNORED UNLESS AUTHORIZED.

THIS DRAWING IS PROPRIETARY TO TELMA INC. RECEIPT OR POSSESSION CONFERS NO RIGHT TO USE THE SUBJECT MATTER OF THIS DRAWING OR TECHNICAL INFORMATION SHOWN; NOR THE RIGHT TO REPRODUCE THIS DRAWING OR ANY PART EXCEPT FOR THOSE SUPPLIERS OF TELMA INC. WHO RECEIVE A WRITTEN REQUEST FOR MANUFACTURE OR SIMILAR USE.

REVISIONS					
ZONE	LTR	DESCRIPTION	E.C.O.	DATE	APPROVAL
	a	changes for MY2006		19dec05	
	b	add speed signal wire color		25jan08	
	c	add relay for navistar applications		20feb08	
	d	add EBCM trmls move speed signal from 3 to 1		13may08 6mar09	



DRAWN BY:		<p>1521 Morse Avenue Elk Grove Village, IL U.S.A. (847) 595.1098</p>
CHECKED BY:		
ENGINEER:	HOUSAND	
REVISED BY:		
SUPERSEDES:		
DATE:	5/MAY/05	<p>NAME: WIRING DIAGRAM C5500 DUAL CONTROL</p> <p>REV: DRWG. NUMBER: d TIL14023</p> <p>SCALE: NTS SHEET: 1 OF 1</p>

THIS DRAWING WAS PRODUCED IN AUTOCAD AND CAN ONLY BE REVISED IN AUTOCAD. ANY MANUAL CHANGES DONE TO THIS DRAWING WILL BE IGNORED UNLESS AUTHORIZED.