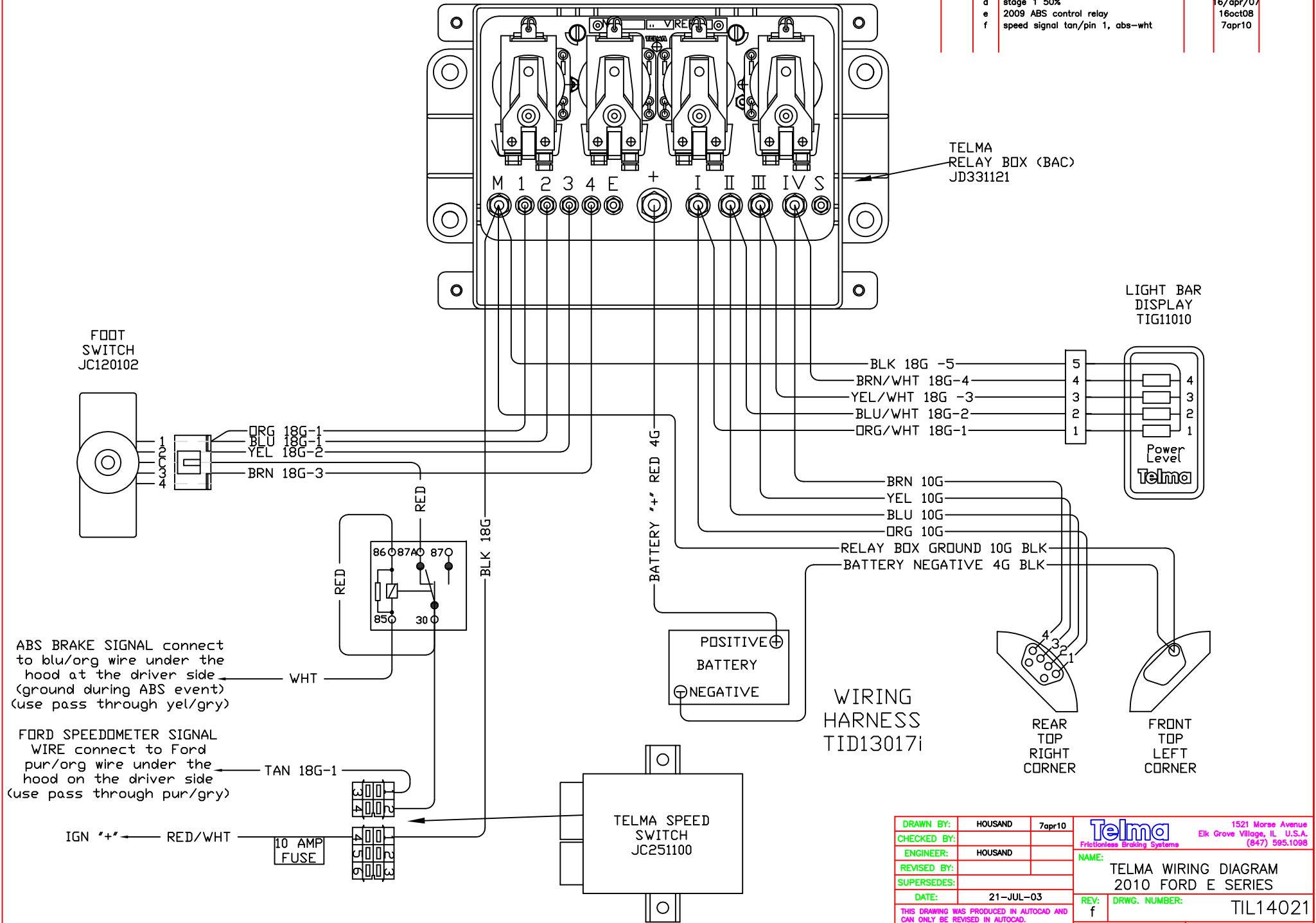



THIS DRAWING IS PROPRIETARY TO TELMA INC. RECEIPT OR POSSESSION CONFERS NO RIGHT TO USE THE SUBJECT MATTER OF THIS DRAWING OR TECHNICAL INFORMATION SHOWN; NOR THE RIGHT TO REPRODUCE THIS DRAWING OR ANY PART EXCEPT FOR THOSE SUPPLIERS OF TELMA INC. WHO RECEIVE A WRITTEN REQUEST FOR MANUFACTURE OR SIMILAR USE.

REVISIONS					
ZONE	LTR	DESCRIPTION	E.C.O.	DATE	APPROVAL
	c	2004 speed switch		25/jan/05	
	d	stage 1 50%		16/apr/07	
	e	2009 ABS control relay		16oct08	
	f	speed signal tan/pin 1, abs-wht		7apr10	



DRAWN BY:	HOUSAND	7apr10	 1521 Morse Avenue Elk Grove Village, IL U.S.A. (847) 595.1098
CHECKED BY:			
ENGINEER:	HOUSAND		
REVISED BY:			
SUPERSEDES:			NAME:
DATE:	21-JUL-03		TELMA WIRING DIAGRAM 2010 FORD E SERIES
THIS DRAWING WAS PRODUCED IN AUTOCAD AND CAN ONLY BE REVISED IN AUTOCAD. ANY MANUAL CHANGES DONE TO THIS DRAWING WILL BE IGNORED UNLESS AUTHORIZED.			REV: f
			DRWG. NUMBER: TIL14021
			SCALE: NTS
			SHEET: 1 OF 1