



DRIVELINE RETARDER PRE-INSTALLATION MEASUREMENT GUIDE

- Procedure Page 2
- Technical characteristics of the vehicle Page 4
- Identification of driveline series Page 5
- Vehicle driveline dimensions: TIL03019

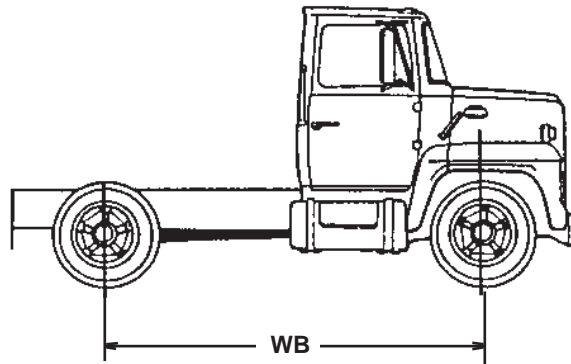
This document is provided only as a worksheet to gather the necessary vehicle information. All Telma installation drawing requests must be submitted online.

This bulletin cancels and replaces TS556

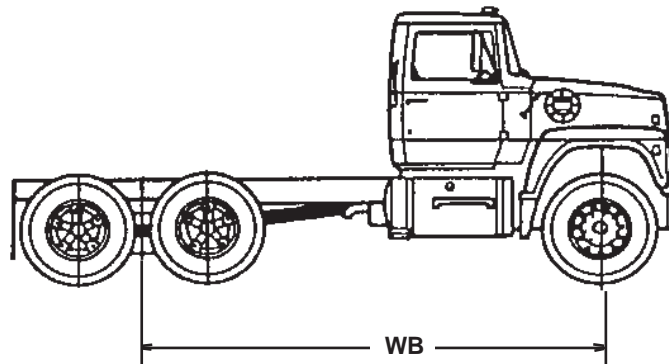
PROCEDURE

STEP ONE:

Measure the vehicle wheelbase from centerline of front axle to centerline of driving axle (WB).



In case of a tandem driving axle, 6 X 4 type, the basic legal wheelbase goes from the centerline of the front axle to the middle of the two centerline driving axles (WB).



STEP TWO:

Fill out page four of TIL03020

NOTE: To complete page four, you may need the support of page 5.

PROCEDURE (continued)

STEP THREE:

Record vehicle driveline dimensions on correct worksheet from document TIL03019.

If the vehicle is built with:

- No carrier bearing, fill out page 1 of TIL03019
- One carrier bearing, fill out page 2 of TIL03019
- Two carrier bearings, fill out page 3 of TIL03019
- Three carrier bearings, fill out page 4 of TIL03019
- No carrier bearing, with pump or T-case, fill out page 5 of TIL03019
- One carrier bearing, with pump or T-case, fill out page 6 of TIL03019
- Two carrier bearings, with pump or T-case, fill out page 7 of TIL03019
- Three carrier bearings, with pump or T-case, fill out page 8 of TIL03019

Please include a preferred location for the retarder. Specify a distance from the center of transmission u-joint to center of retarder (referred to as "CC").

STEP FOUR:

Submit Telma installation drawing request form online.

- Open web browser and visit www.TelmaUSA.com
- Click on "Telma - Technical Website"
- Click on "Tech Support"
- Scroll to the bottom of the menu on the left side of the page
- Click on "Installation Drawing Request"
- Click on "Online Installation Drawing Request Form"
- Fill out all data areas and submit form

Telma engineering will process all drawing requests in the order they are received. Installation instructions will be provided via email to the email address entered on the drawing request form.

TELMA INSTALLATION DATA SHEET

Chassis

Make / Model: _____ 4 X 2 Front engine:
 VIN: _____ 6 X 4 Mid engine:
 Wheelbase: _____ 4 X 4 Rear engine:
 _____ 6 X 6
 GVW (vehicle w/o trailer): _____ 6 X 2 (tag axle)
 GCW (vehicle w/ trailer): _____
 Mileage at installation: _____ Hours at installation: _____

Engine

Make / Model: _____
 Hp _____ @ _____ rpm LB-FT _____ @ _____

Transmission

Make / Model: _____ Torque Conv. ratio: _____

Drive Axle

Make / Model: _____ Final Drive ratio: _____
 Two Speed Axle Air Suspension

Tires

Type: _____ Size: _____

Electrical Equipment

Alternator: _____ Volts _____ Amps Number of batteries: _____ Group size: _____
 Battery reserve capacity(RC) _____ minutes Cold Cranking Amps (CCA) _____

Brakes

Type of Brakes: Air ABS Equipped? Yes ABS Make / Model _____
 Hydraulic No

TELMA Installed

P/N (2 letters 6 numbers): _____ Serial N°: _____ Kit (TIK#####) _____

Drive Shafts

U-joint series: _____ Tube diameter.: _____
 U-Joint bearing cap diameter _____ Distance across yoke _____

Main Use of Vehicle

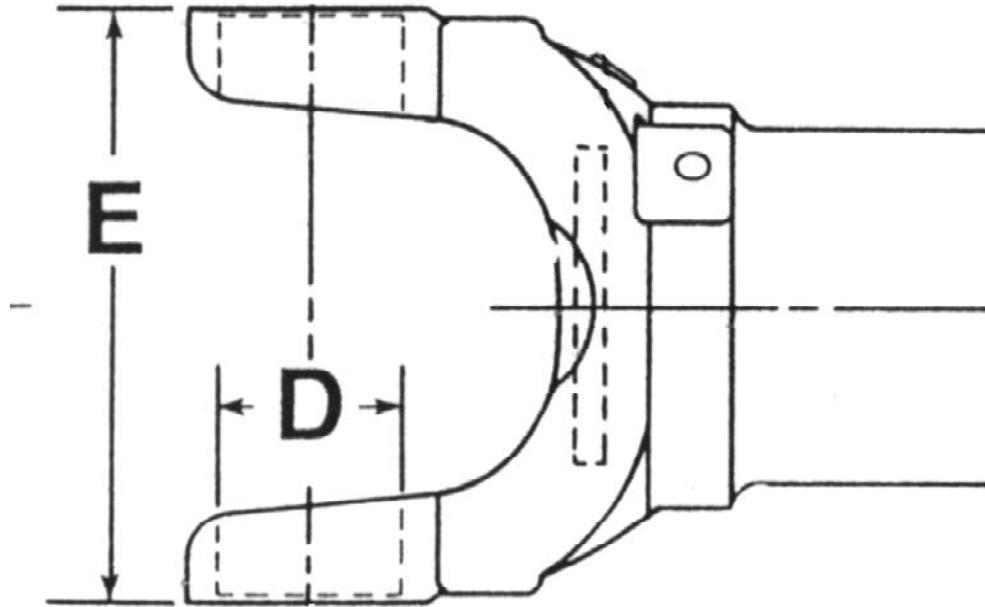
Road City Application: (i.e. School Bus)
 Mountainous area Offroad _____

Customer

Name: _____ Address: _____
 City: _____ State: _____

This document is the exclusive property of TELMA RETARDER INC. It cannot be copied, modified, forwarded, or given to any third party without prior agreement from TELMA RETARDER INC. Any infringement will immediately involve legal action.

IDENTIFICATION OF DRIVELINE SERIES



Series	E	D
	distance across lugs	bearing diameter
1350	3 7/8"	1 3/16"
1410	4 7/16"	1 3/16"
1480	4 7/16"	1 3/8"
1550	5 1/4"	1 3/8"
SPL 90/100	5"	1 5/8"
1610	5 5/16"	1 7/8"
SPL 140	5"	1 15/16"
1710	6 3/16"	1 15/16"
1760	7"	1 15/16"
SPL 170	6 7/16"	2 3/16"
1810	7 1/2"	1 15/16"
SPL 250	6 7/16"	2 3/8"