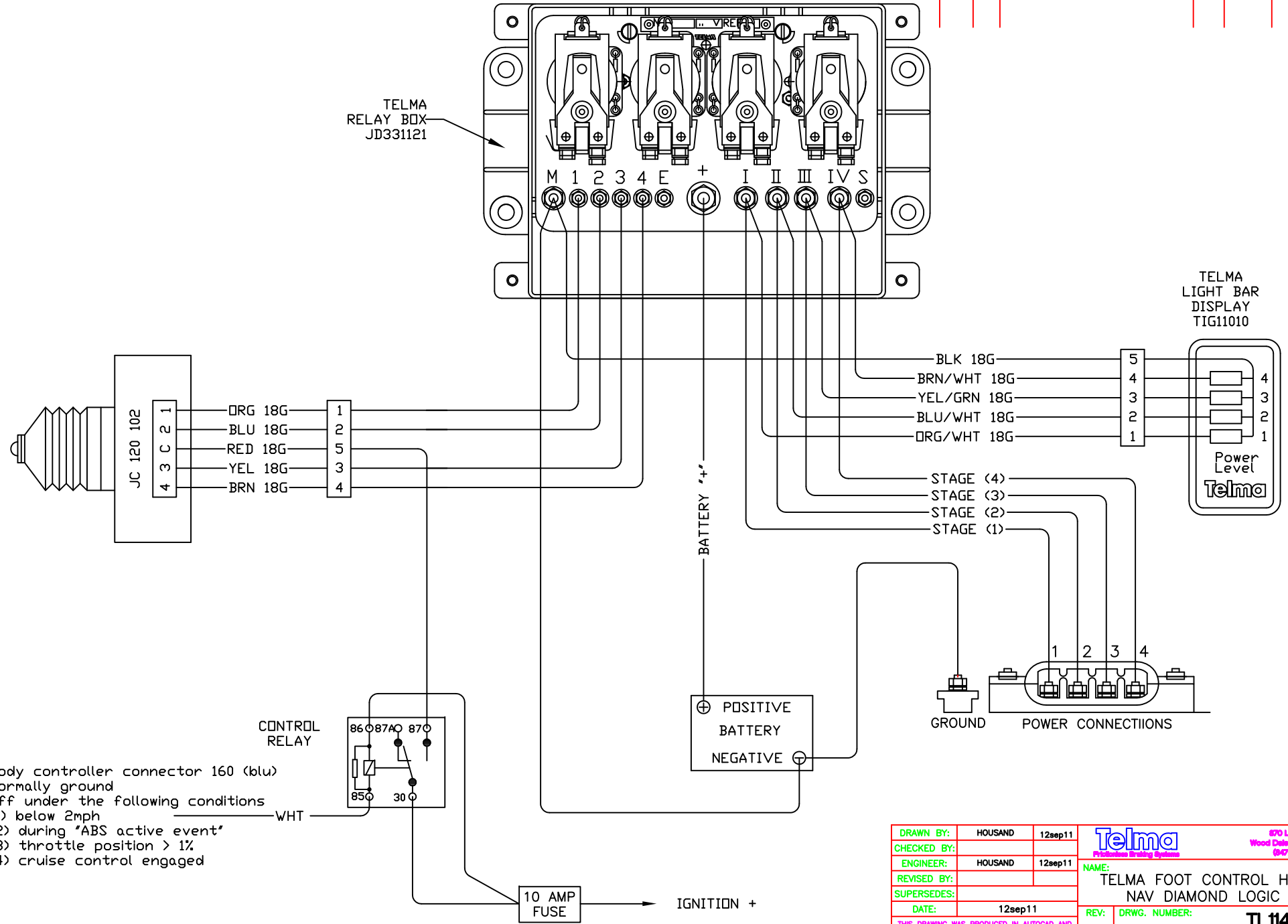


THIS DRAWING IS PROPRIETARY TO TELMA INC. RECEIPT OR POSSESSION CONFERS NO RIGHT TO USE THE SUBJECT MATTER OF THIS DRAWING OR TECHNICAL INFORMATION SHOWN; NOR THE RIGHT TO REPRODUCE THIS DRAWING OR ANY PART EXCEPT FOR THOSE SUPPLIERS OF TELMA INC. WHO RECEIVE A WRITTEN REQUEST FOR MANUFACTURE OR SIMILAR USE.

REVISIONS					
ZONE	LTR	DESCRIPTION	E.C.O.	DATE	APPROVAL

TELMA RELAY BOX JD331121



body controller connector 160 (blu) normally ground off under the following conditions
 (1) below 2mph
 (2) during "ABS active event"
 (3) throttle position > 1%
 (4) cruise control engaged

CONTROL RELAY

10 AMP FUSE

IGNITION +

DRAWN BY:	HOUSAND	12sep11
CHECKED BY:		
ENGINEER:	HOUSAND	12sep11
REVISED BY:		
SUPERSEDES:		
DATE:	12sep11	

Telma
 Precision Braking Systems

870 Linsky Blvd
 Wood Dale, IL, U.S.A.
 (647) 686-0286

NAME: TELMA FOOT CONTROL HYD NAV DIAMOND LOGIC

REV: DRWG. NUMBER: **TL14029**

SCALE: NTS SHEET: 1 OF 1

Note: refer to TL115012 for more details