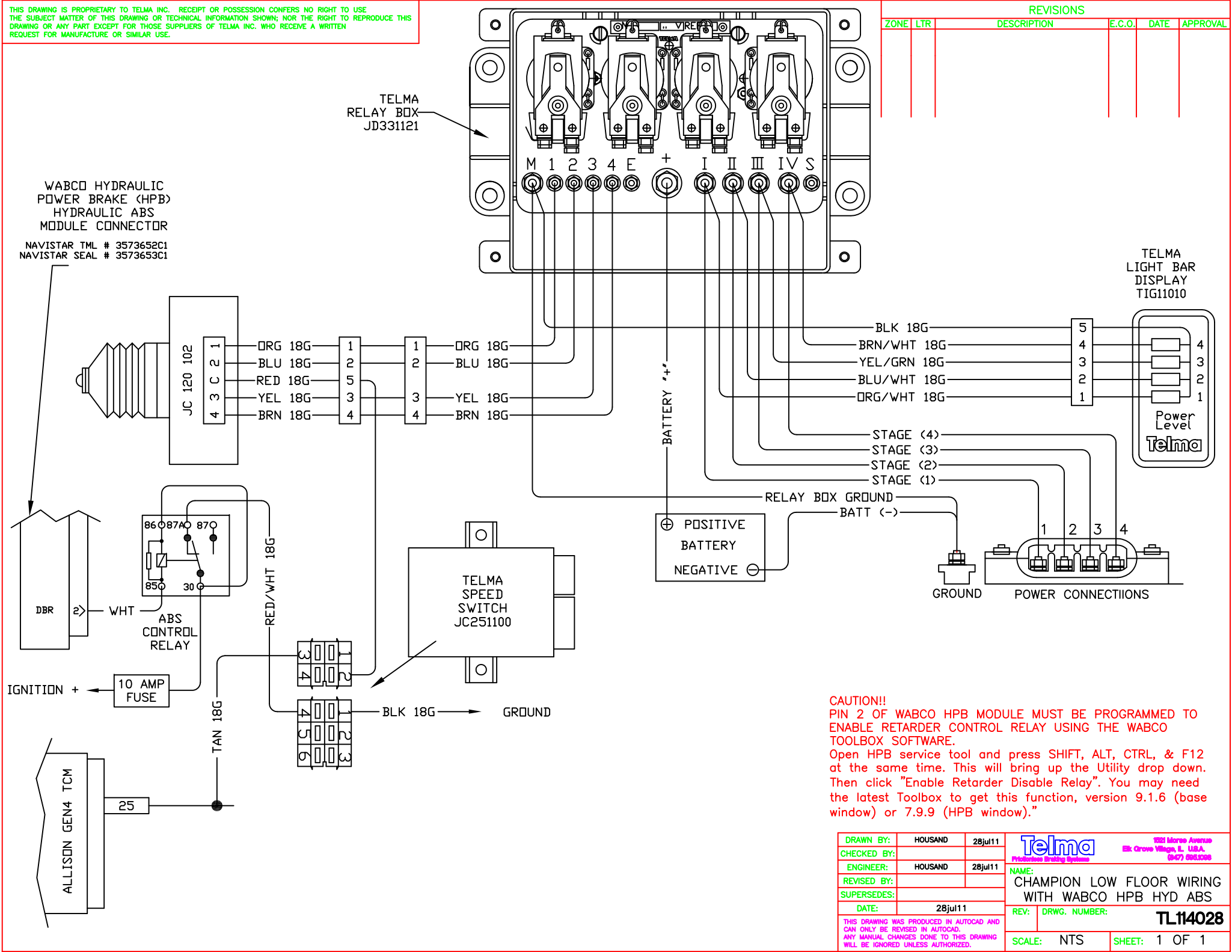


THIS DRAWING IS PROPRIETARY TO TELMA INC. RECEIPT OR POSSESSION CONFERS NO RIGHT TO USE THE SUBJECT MATTER OF THIS DRAWING OR TECHNICAL INFORMATION SHOWN; NOR THE RIGHT TO REPRODUCE THIS DRAWING OR ANY PART EXCEPT FOR THOSE SUPPLIERS OF TELMA INC. WHO RECEIVE A WRITTEN REQUEST FOR MANUFACTURE OR SIMILAR USE.

REVISIONS					
ZONE	LTR	DESCRIPTION	E.C.O.	DATE	APPROVAL



CAUTION!!
 PIN 2 OF WABCO HPB MODULE MUST BE PROGRAMMED TO ENABLE RETARDER CONTROL RELAY USING THE WABCO TOOLBOX SOFTWARE.
 Open HPB service tool and press SHIFT, ALT, CTRL, & F12 at the same time. This will bring up the Utility drop down. Then click "Enable Retarder Disable Relay". You may need the latest Toolbox to get this function, version 9.1.6 (base window) or 7.9.9 (HPB window)."

DRAWN BY:	HOUSAND	28jul11	 <small>Proportioning Braking Systems</small> 1021 Morse Avenue Elk Grove Village, IL, U.S.A. (847) 596.9206
CHECKED BY:			
ENGINEER:	HOUSAND	28jul11	
REVISED BY:			
SUPERSEDES:			
DATE:	28jul11		NAME: CHAMPION LOW FLOOR WIRING WITH WABCO HPB HYD ABS
THIS DRAWING WAS PRODUCED IN AUTOCAD AND CAN ONLY BE REVISED IN AUTOCAD. ANY MANUAL CHANGES DONE TO THIS DRAWING WILL BE IGNORED UNLESS AUTHORIZED.			REV: DRWG. NUMBER: TL14028
SCALE:	NTS	SHEET:	1 OF 1