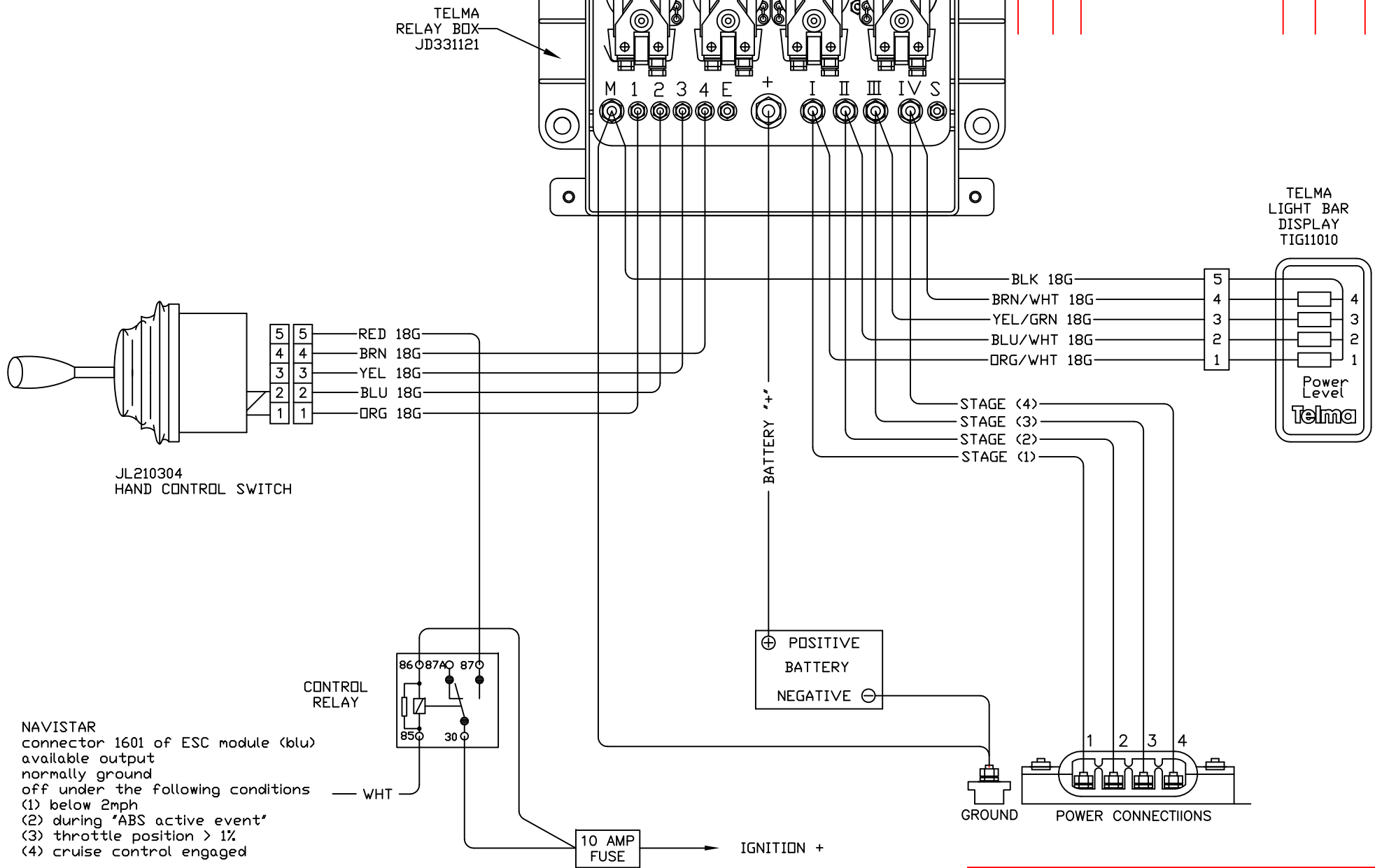


THIS DRAWING IS PROPRIETARY TO TELMA INC. RECEIPT OR POSSESSION CONFERS NO RIGHT TO USE THE SUBJECT MATTER OF THIS DRAWING OR TECHNICAL INFORMATION SHOWN; NOR THE RIGHT TO REPRODUCE THIS DRAWING OR ANY PART EXCEPT FOR THOSE SUPPLIERS OF TELMA INC. WHO RECEIVE A WRITTEN REQUEST FOR MANUFACTURE OR SIMILAR USE.

REVISIONS					
ZONE	LTR	DESCRIPTION	E.C.O.	DATE	APPROVAL



NAVISTAR connector 1601 of ESC module (blu) available output normally ground off under the following conditions
 (1) below 2mph
 (2) during 'ABS active event'
 (3) throttle position > 1%
 (4) cruise control engaged

Note: refer to TL115012 for more details

DRAWN BY:	HOUSAND	12sep11	 <small>1921 Morse Avenue Elk Grove Village, IL, U.S.A. (847) 666.0266</small>
CHECKED BY:			
ENGINEER:	HOUSAND	12sep11	
REVISED BY:			
SUPERSEDES:			
DATE:	12sep11		NAME: TELMA HAND CONTROL WIRING NAV DIAMOND LOGIC
THIS DRAWING WAS PRODUCED IN AUTOCAD AND CAN ONLY BE REVISED IN AUTOCAD. ANY MANUAL CHANGES DONE TO THIS DRAWING WILL BE IGNORED UNLESS AUTHORIZED.	REV:	DRWG. NUMBER:	TL14027
SCALE:	NTS	SHEET:	1 OF 1