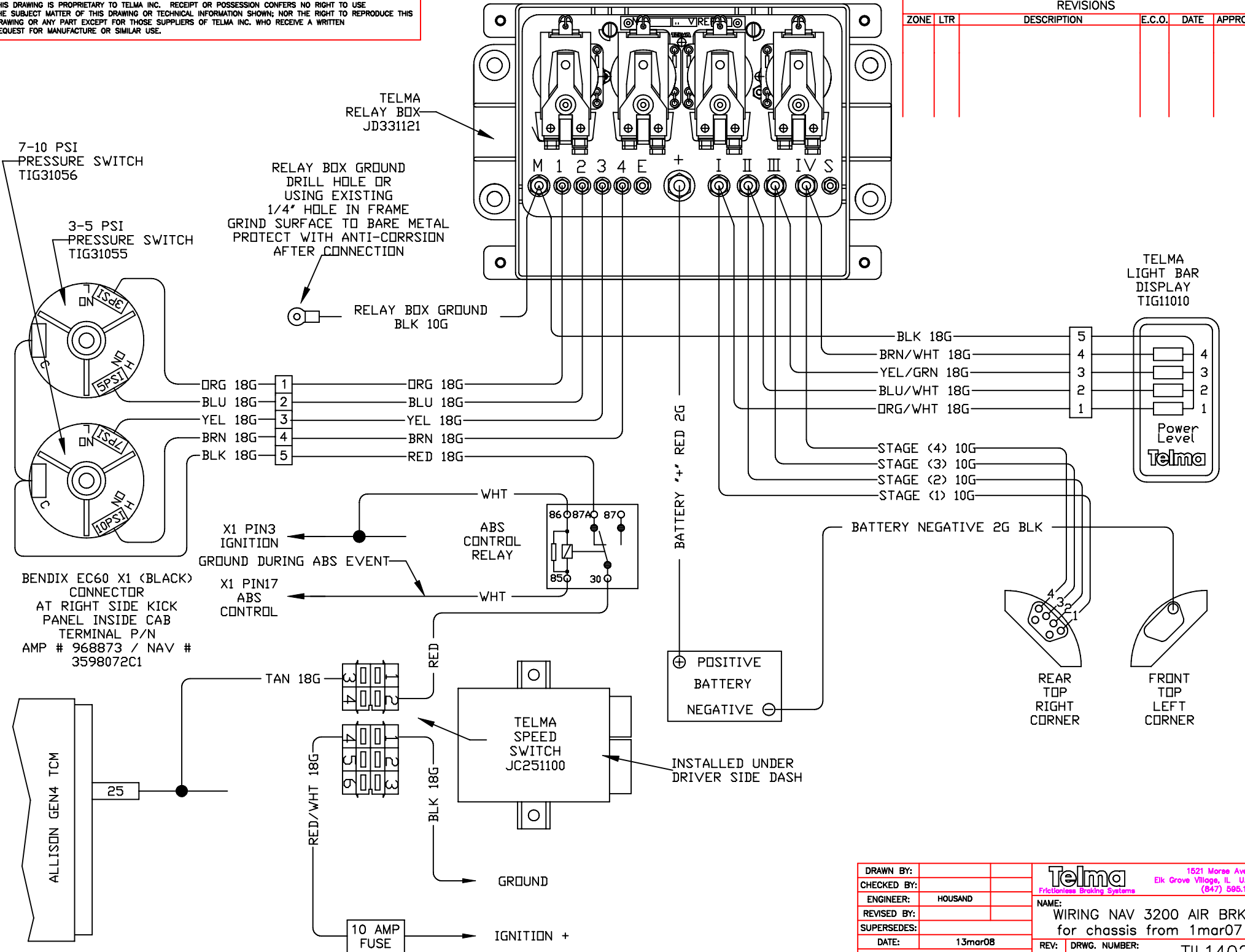


THIS DRAWING IS PROPRIETARY TO TELMA INC. RECEIPT OR POSSESSION CONFERS NO RIGHT TO USE THE SUBJECT MATTER OF THIS DRAWING OR TECHNICAL INFORMATION SHOWN; NOR THE RIGHT TO REPRODUCE THIS DRAWING OR ANY PART EXCEPT FOR THOSE SUPPLIERS OF TELMA INC. WHO RECEIVE A WRITTEN REQUEST FOR MANUFACTURE OR SIMILAR USE.

REVISIONS					
ZONE	LTR	DESCRIPTION	E.C.O.	DATE	APPROVAL



DRAWN BY:	
CHECKED BY:	
ENGINEER:	HOUSAND
REVISED BY:	
SUPERSEDES:	
DATE:	13mar08

**Telma** 1521 Morse Avenue  
Elk Grove Village, IL U.S.A. (847) 595.1098

Frictionless Braking Systems

NAME:  
WIRING NAV 3200 AIR BRK  
for chassis from 1mar07

REV: DRWG. NUMBER: TIL14025

THIS DRAWING WAS PRODUCED IN AUTOCAD AND CAN ONLY BE REVISED IN AUTOCAD. ANY MANUAL CHANGES DONE TO THIS DRAWING WILL BE IGNORED UNLESS AUTHORIZED.