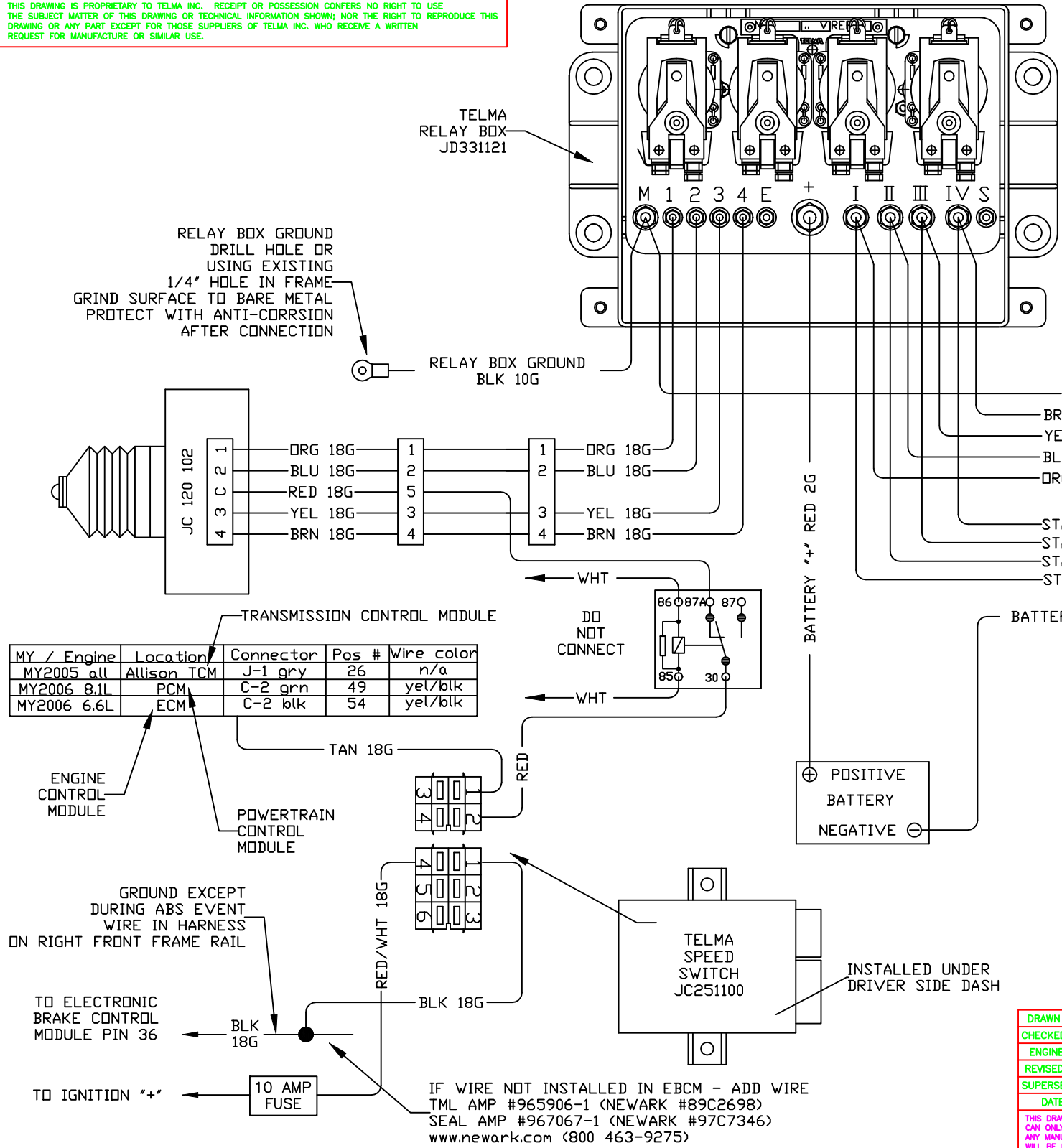


THIS DRAWING IS PROPRIETARY TO TELMA INC. RECEIPT OR POSSESSION CONFERS NO RIGHT TO USE THE SUBJECT MATTER OF THIS DRAWING OR TECHNICAL INFORMATION SHOWN; NOR THE RIGHT TO REPRODUCE THIS DRAWING OR ANY PART EXCEPT FOR THOSE SUPPLIERS OF TELMA INC. WHO RECEIVE A WRITTEN REQUEST FOR MANUFACTURE OR SIMILAR USE.

REVISIONS					
ZONE	LTR	DESCRIPTION	E.C.O.	DATE	APPROVAL
	a	changes for MY2006		19dec05	
	b	add speed signal wire color		25jan08	
	c	add relay for navistar applications		20feb08	
	d	add EBCM trmls move speed signal from 3 to 1		13may08 6mar09	



MY / Engine	Location	Connector	Pos #	Wire color
MY2005 all	Allison TCM	J-1 gry	26	n/a
MY2006 8.1L	PCM	C-2 grn	49	yel/blk
MY2006 6.6L	ECM	C-2 blk	54	yel/blk

DRAWN BY:	
CHECKED BY:	
ENGINEER:	HOUSAND
REVISED BY:	
SUPERSEDES:	
DATE:	5/MAY/05
THIS DRAWING WAS PRODUCED IN AUTOCAD AND CAN ONLY BE REVISED IN AUTOCAD. ANY MANUAL CHANGES DONE TO THIS DRAWING WILL BE IGNORED UNLESS AUTHORIZED.	

**Telma** 1521 Morse Avenue  
Frictionless Braking Systems Elk Grove Village, IL U.S.A. (847) 595.1098

NAME: WIRING DIAGRAM C5500  
HARNES TID13019

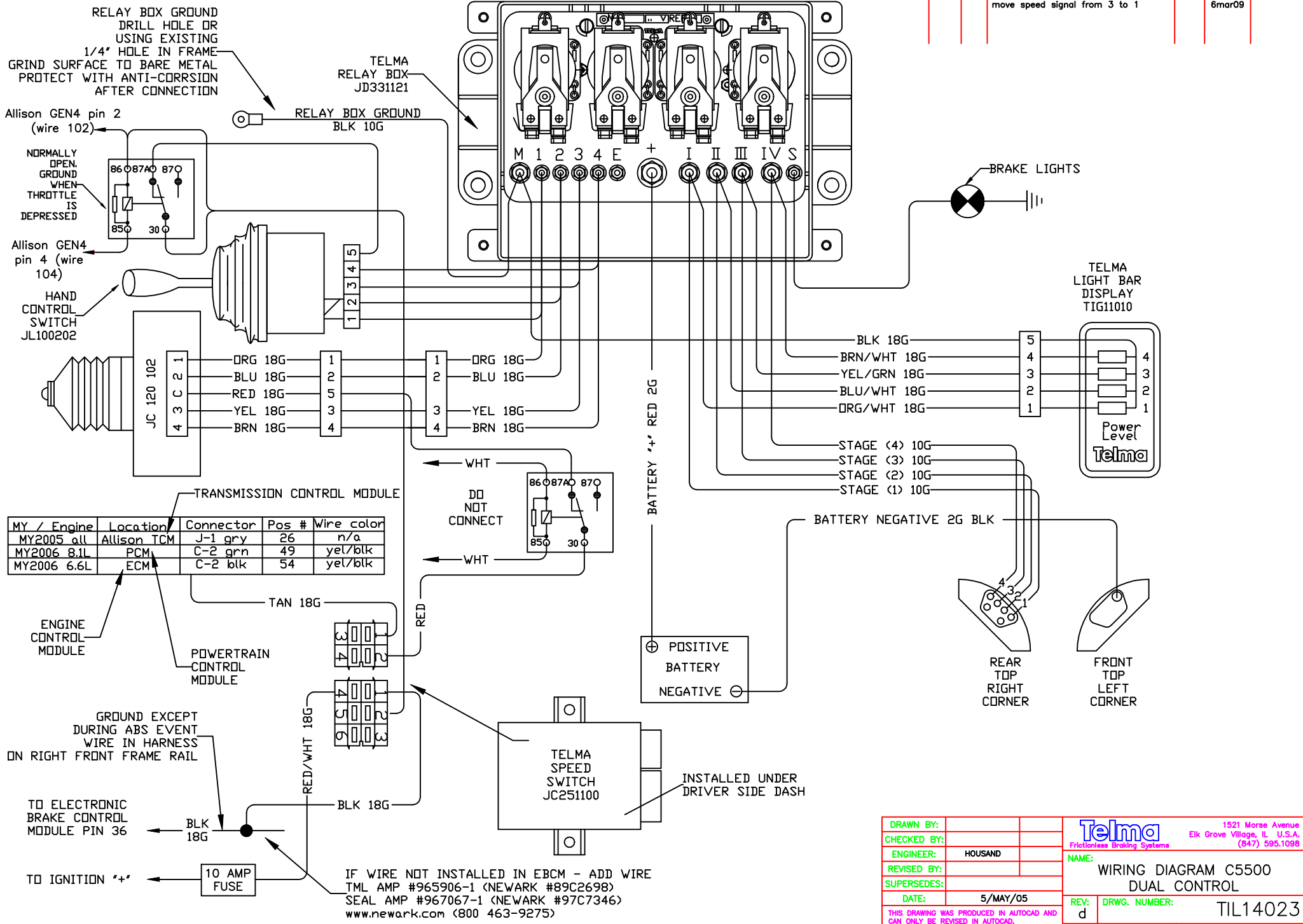
REV: d DRWG. NUMBER: TIL14023


SCALE: NTS SHEET: 1 OF 1

IF WIRE NOT INSTALLED IN EBCM - ADD WIRE  
TML AMP #965906-1 (NEWARK #89C2698)  
SEAL AMP #967067-1 (NEWARK #97C7346)  
www.newark.com (800 463-9275)

THIS DRAWING IS PROPRIETARY TO TELMA INC. RECEIPT OR POSSESSION CONFERS NO RIGHT TO USE THE SUBJECT MATTER OF THIS DRAWING OR TECHNICAL INFORMATION SHOWN; NOR THE RIGHT TO REPRODUCE THIS DRAWING OR ANY PART EXCEPT FOR THOSE SUPPLIERS OF TELMA INC. WHO RECEIVE A WRITTEN REQUEST FOR MANUFACTURE OR SIMILAR USE.

REVISIONS					
ZONE	LTR	DESCRIPTION	E.C.O.	DATE	APPROVAL
	a	changes for MY2006		19dec05	
	b	add speed signal wire color		25jan08	
	c	add relay for navistar applications		20feb08	
	d	add EBCM trmls move speed signal from 3 to 1		13may08 6mar09	



DRAWN BY:		 1521 Morse Avenue Elk Grove Village, IL U.S.A. (847) 595.1098 Frictionless Braking Systems
CHECKED BY:		
ENGINEER:	HOUSAND	
REVISED BY:		
SUPERSEDES:		
DATE:	5/MAY/05	NAME: <b>WIRING DIAGRAM C5500 DUAL CONTROL</b>
THIS DRAWING WAS PRODUCED IN AUTOCAD AND CAN ONLY BE REVISED IN AUTOCAD. ANY MANUAL CHANGES DONE TO THIS DRAWING WILL BE IGNORED UNLESS AUTHORIZED.		REV: DRWG. NUMBER: <b>d TIL14023</b>
SCALE:	NTS	SHEET: 1 OF 1