

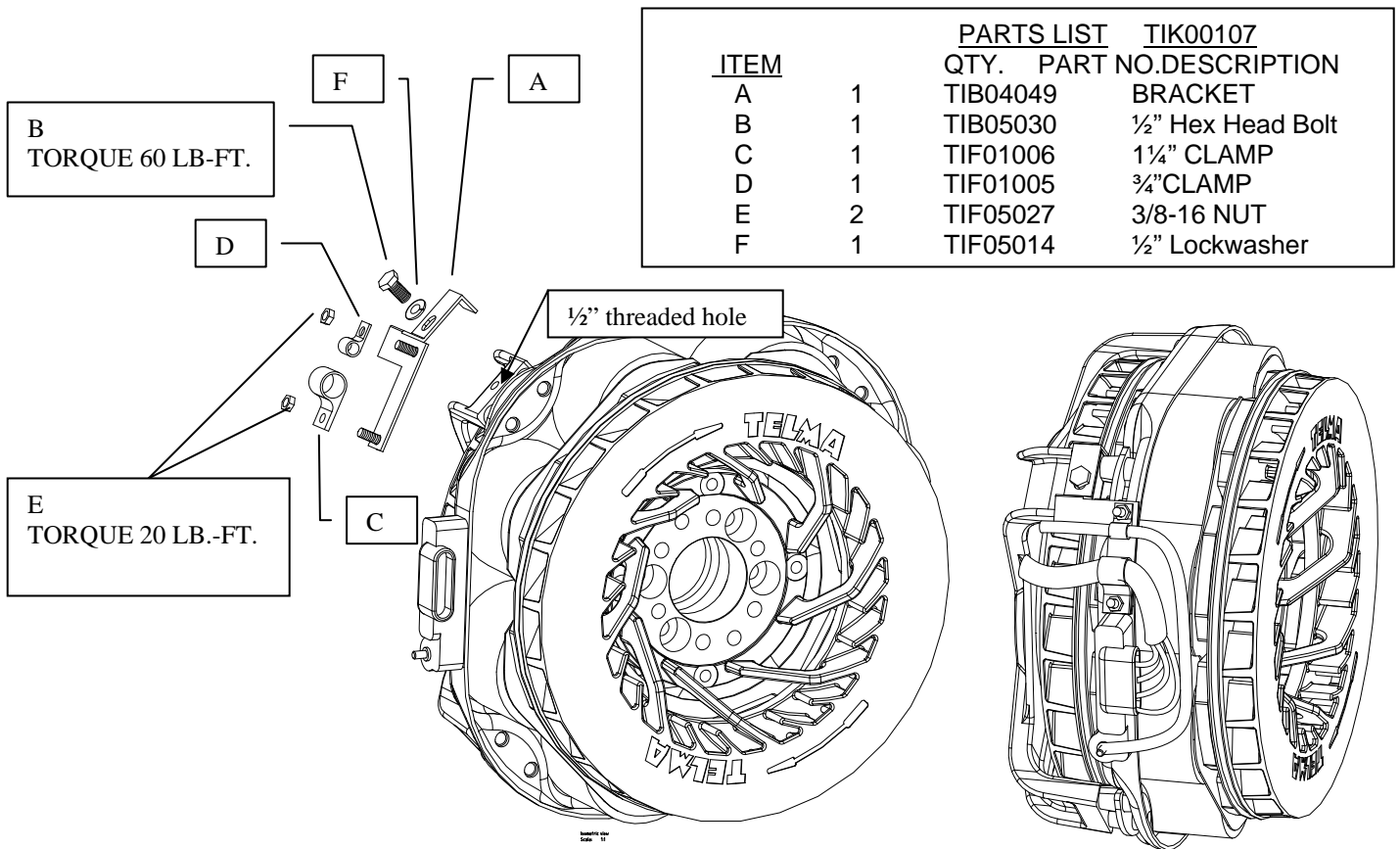
## TECHNICAL SERVICE BULLETIN

**SUBJECT:** Focal wire harness bracket assembly for Kit (TIK 00107)

**Products Affected:** Telma Focal installations on axles

**Effective Date:** 1-April-2004

A new focal wire harness bracket kit has been created in order to help ensure the proper routing of the cables near the retarder and reduce the risk of harness damage.

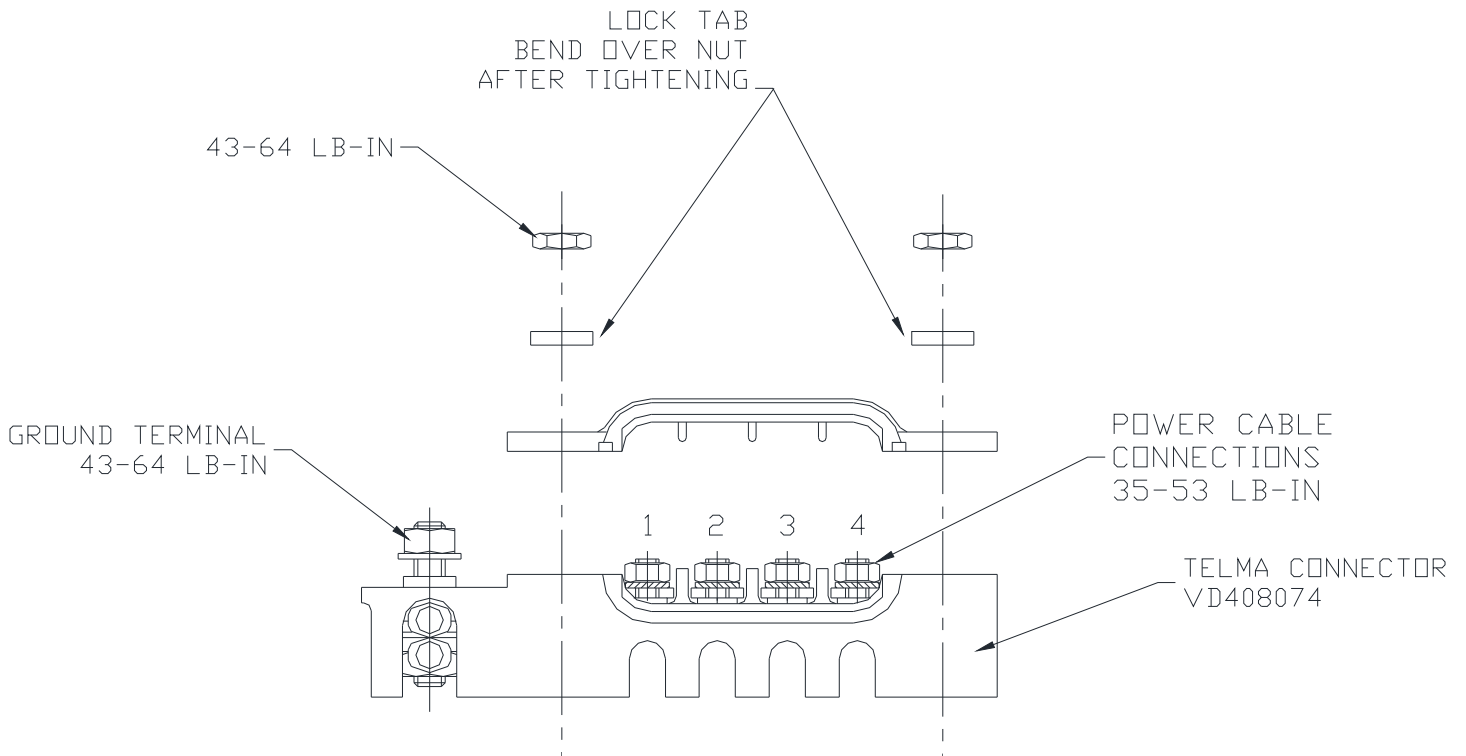


**NOTE 1:** Make sure harness is secured to allow for axle articulation and avoid damage from rotors.

**NOTE 2:** All focal installations require this bracket to be installed.

**NOTE 3:** TIK00107 is used only with focals that have a 1/2" threaded hole detail on the arm of the stator bracket. Earlier produced brackets without this hole, will require TIK 00106 harness kit. Refer to TIL15005.

## Focal Connecting Block Tightening Torques



### CAUTION!

### DO NOT OVERTIGHTEN FASTENERS

Make sure harness is secured to allow for axle articulation and avoid harness damage from rotor



This document is the exclusive property of TELMA RETARDER INC. It cannot be copied, modified, forwarded, or given to any third party without prior agreement from TELMA RETARDER INC. Any infringement will immediately involve legal action.

