



## RETARDER INSTALLATION CHECKLIST

### Table of Contents

To verify the measurements after installing the Telma, you may use this document as a guide.

Page	Layout	Description
1		Table of Contents
2	1-1	One shaft in front of retarder, one shaft behind retarder
3	1-2	One shaft in front of retarder, two shafts behind retarder
4	1-3	One shaft in front of retarder, three shafts behind retarder
5	2-1	Two shafts in front of retarder, one shaft behind retarder
6	3-1	Three shafts in front of retarder, one shaft behind retarder
7	2-2	Two shafts in front of retarder, two shaft behind retarder

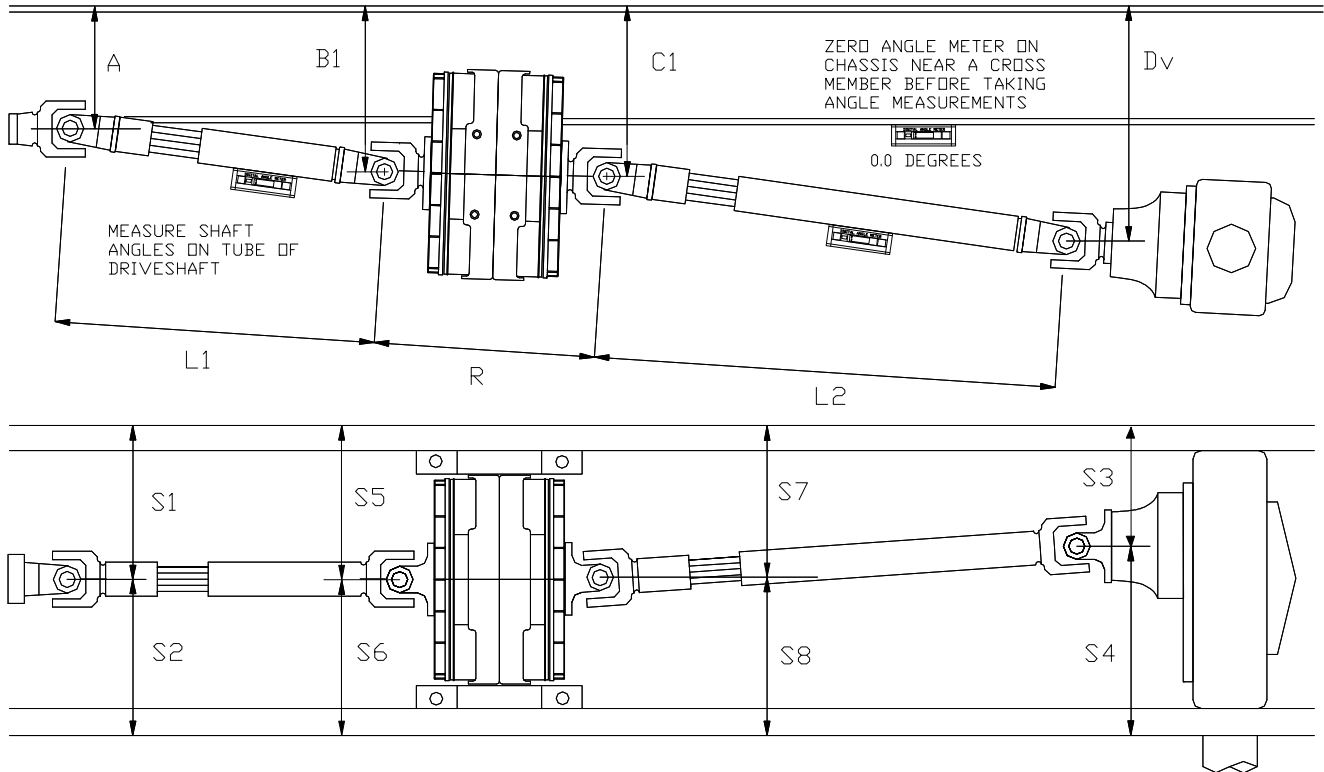
If you have any questions, contact Telma customer support at 800 797-7714 or visit our website at [www.telmausa.com](http://www.telmausa.com).

This document is the exclusive property of TELMA RETARDER INC. It cannot be copied, modified, forwarded, or given to any third party without prior agreement from TELMA RETARDER INC. Any infringement will immediately involve legal action.



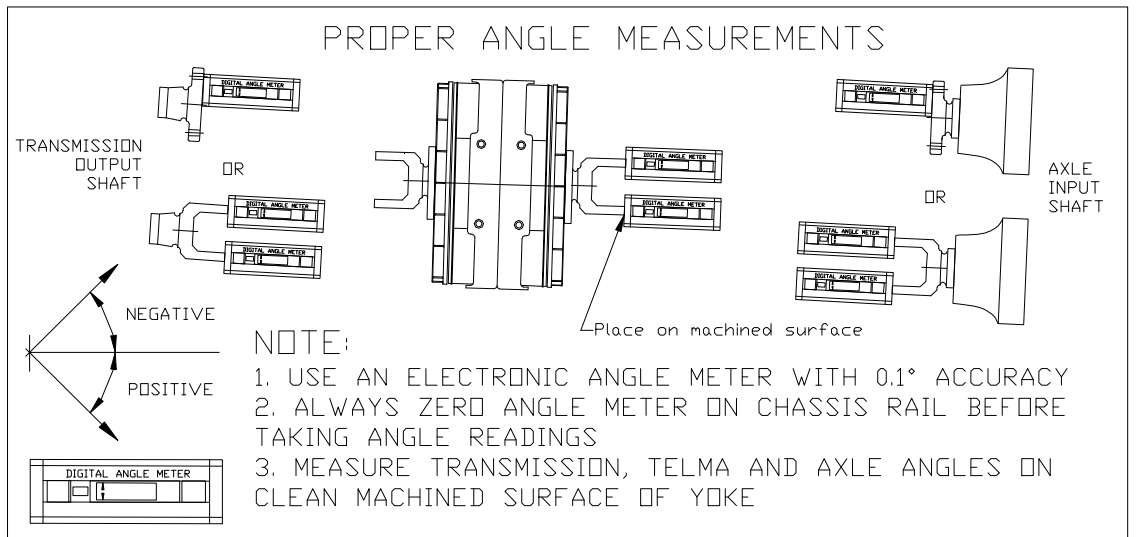
## RETARDER INSTALLATION CHECKLIST

To verify the measurements after installing the Telma, you may use this sheet as a guide. If you have any questions, contact Telma customer support at 800 797-7714 or visit our website at [www.telmausa.com](http://www.telmausa.com).



**Measurements:**

- A \_\_\_\_\_"
- Dv \_\_\_\_\_"
- S1 \_\_\_\_\_"
- S2 \_\_\_\_\_"
- S3 \_\_\_\_\_"
- S4 \_\_\_\_\_"
- S5 \_\_\_\_\_"
- S6 \_\_\_\_\_"
- S7 \_\_\_\_\_"
- S8 \_\_\_\_\_"
- L1 \_\_\_\_\_"
- L2 \_\_\_\_\_"



**Angles:**

<Trans \_\_\_\_\_°   <L1 \_\_\_\_\_°   <R \_\_\_\_\_°   <L2 \_\_\_\_\_°   <Axle \_\_\_\_\_°

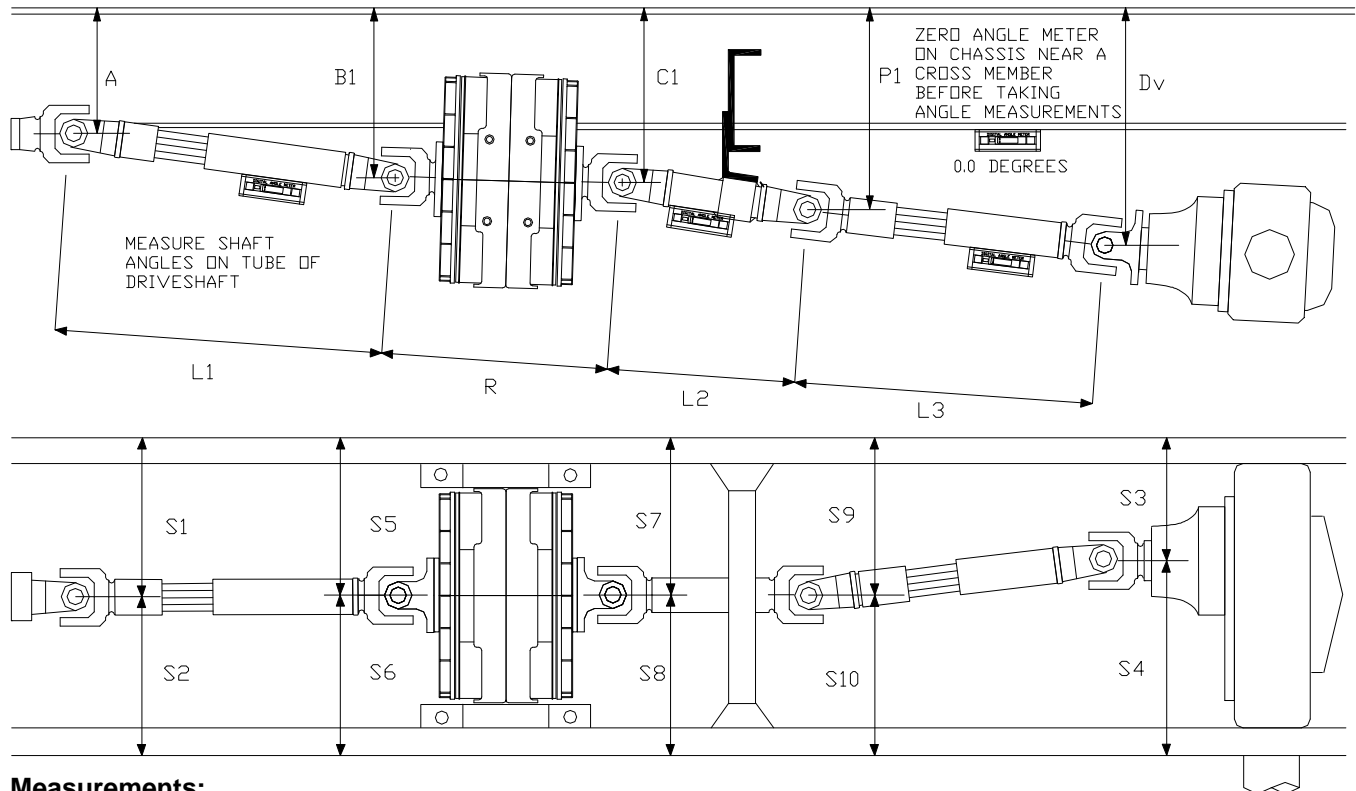
NOTE: Measurements above are referencing from top and outside of chassis, and center to center of u-joints.

This document is the exclusive property of TELMA RETARDER INC. It cannot be copied, modified, forwarded, or given to any third party without prior agreement from TELMA RETARDER INC. Any infringement will immediately involve legal action.



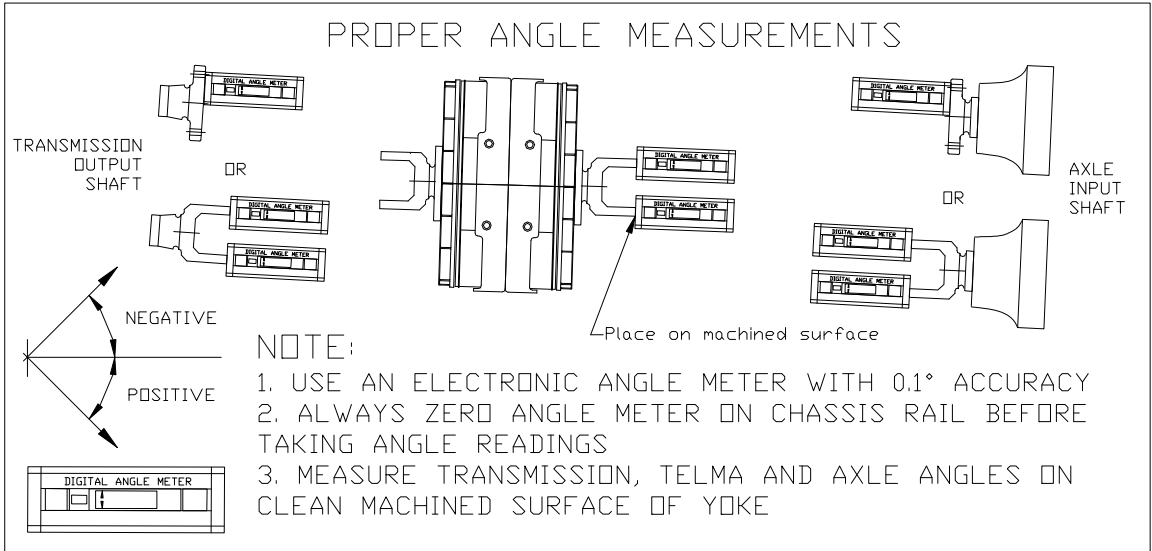
## RETARDER INSTALLATION CHECKLIST

To verify the measurements after installing the Telma, you may use this sheet as a guide. If you have any questions, contact Telma customer support at 800 797-7714 or visit our website at [www.telmausa.com](http://www.telmausa.com).



**Measurements:**

- A \_\_\_\_\_ " \_\_\_\_\_
- Dv \_\_\_\_\_ " \_\_\_\_\_
- S1 \_\_\_\_\_ " \_\_\_\_\_
- S2 \_\_\_\_\_ " \_\_\_\_\_
- S3 \_\_\_\_\_ " \_\_\_\_\_
- S4 \_\_\_\_\_ " \_\_\_\_\_
- S5 \_\_\_\_\_ " \_\_\_\_\_
- S6 \_\_\_\_\_ " \_\_\_\_\_
- S7 \_\_\_\_\_ " \_\_\_\_\_
- S8 \_\_\_\_\_ " \_\_\_\_\_
- S9 \_\_\_\_\_ " \_\_\_\_\_
- S10 \_\_\_\_\_ " \_\_\_\_\_
- L1 \_\_\_\_\_ " \_\_\_\_\_
- L2 \_\_\_\_\_ " \_\_\_\_\_
- L3 \_\_\_\_\_ " \_\_\_\_\_



**Angles:**

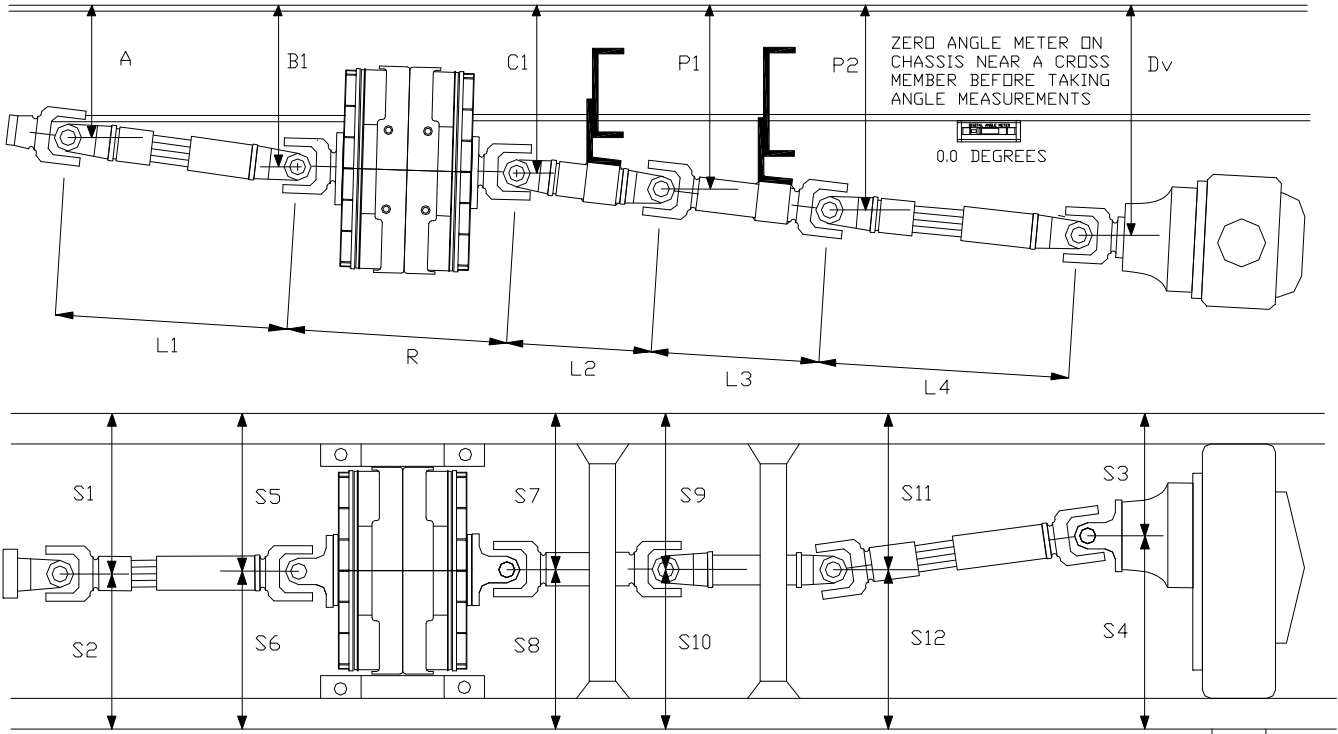
<Trans \_\_\_\_\_ °      <L1 \_\_\_\_\_ °      <R \_\_\_\_\_ °  
 <L2 \_\_\_\_\_ °      <L3 \_\_\_\_\_ °      <Axle \_\_\_\_\_ °

NOTE: Measurements above are referencing from top and outside of chassis, and center to center of u-joints.

This document is the exclusive property of TELMA RETARDER INC. It cannot be copied, modified, forwarded, or given to any third party without prior agreement from TELMA RETARDER INC. Any infringement will immediately involve legal action.

## RETARDER INSTALLATION CHECKLIST

To verify the measurements after installing the Telma, you may use this sheet as a guide. If you have any questions, contact Telma customer support at 800 797-7714 or visit our website at [www.telmausa.com](http://www.telmausa.com).



**Measurements:**

- A \_\_\_\_\_
- Dv \_\_\_\_\_
- S1 \_\_\_\_\_
- S2 \_\_\_\_\_
- S3 \_\_\_\_\_
- S4 \_\_\_\_\_
- S5 \_\_\_\_\_
- S6 \_\_\_\_\_
- S7 \_\_\_\_\_
- S8 \_\_\_\_\_
- S9 \_\_\_\_\_
- S10 \_\_\_\_\_
- S11 \_\_\_\_\_
- S12 \_\_\_\_\_
- L1 \_\_\_\_\_
- L2 \_\_\_\_\_
- L3 \_\_\_\_\_
- L4 \_\_\_\_\_

PROPER ANGLE MEASUREMENTS

NOTE:

1. USE AN ELECTRONIC ANGLE METER WITH 0.1° ACCURACY
2. ALWAYS ZERO ANGLE METER ON CHASSIS RAIL BEFORE TAKING ANGLE READINGS
3. MEASURE TRANSMISSION, TELMA AND AXLE ANGLES ON CLEAN MACHINED SURFACE OF YOKE

Place on machined surface

**Angles :**

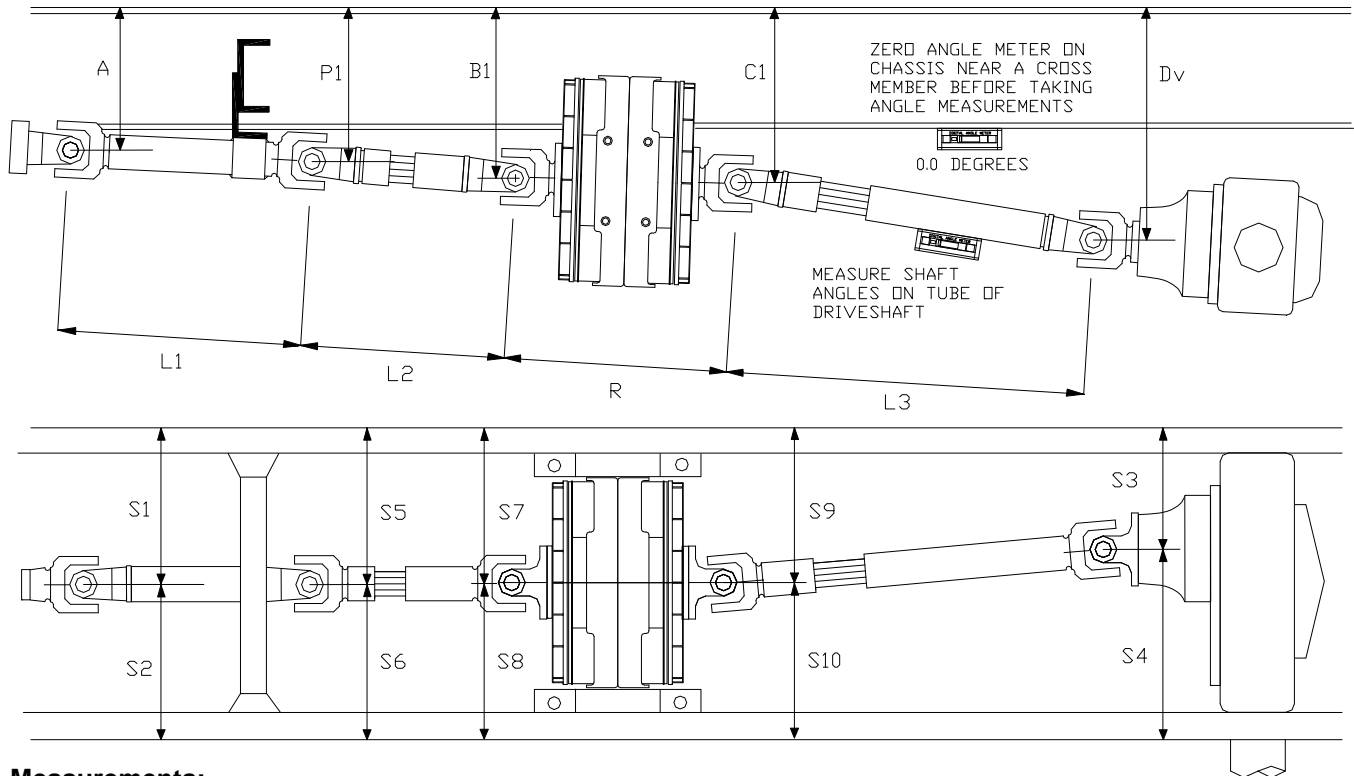
- <Trans \_\_\_\_\_ °    <L1 \_\_\_\_\_ °    <R \_\_\_\_\_ °    <L2 \_\_\_\_\_ °
- <L3 \_\_\_\_\_ °    <L4 \_\_\_\_\_ °    <Axle \_\_\_\_\_ °

NOTE: Measurements above are referencing from top and outside of chassis, and center to center of u-joints.

This document is the exclusive property of TELMA RETARDER INC. It cannot be copied, modified, forwarded, or given to any third party without prior agreement from TELMA RETARDER INC. Any infringement will immediately involve legal action.

## RETARDER INSTALLATION CHECKLIST

To verify the measurements after installing the Telma, you may use this sheet as a guide. If you have any questions, contact Telma customer support at 800 797-7714 or visit our website at [www.telmausa.com](http://www.telmausa.com).



**Measurements:**

- A \_\_\_\_\_ "
- Dv \_\_\_\_\_ "
- S1 \_\_\_\_\_ "
- S2 \_\_\_\_\_ "
- S3 \_\_\_\_\_ "
- S4 \_\_\_\_\_ "
- S5 \_\_\_\_\_ "
- S6 \_\_\_\_\_ "
- S7 \_\_\_\_\_ "
- S8 \_\_\_\_\_ "
- S9 \_\_\_\_\_ "
- S10 \_\_\_\_\_ "
- L1 \_\_\_\_\_ "
- L2 \_\_\_\_\_ "
- L3 \_\_\_\_\_ "

### PROPER ANGLE MEASUREMENTS

**NOTE:**

1. USE AN ELECTRONIC ANGLE METER WITH 0.1° ACCURACY
2. ALWAYS ZERO ANGLE METER ON CHASSIS RAIL BEFORE TAKING ANGLE READINGS
3. MEASURE TRANSMISSION, TELMA AND AXLE ANGLES ON CLEAN MACHINED SURFACE OF YOKE

Place on machined surface

**Angles:**

- |                        |                     |                       |
|------------------------|---------------------|-----------------------|
| $\angle$ Trans _____ ° | $\angle$ L1 _____ ° | $\angle$ L2 _____ °   |
| $\angle$ R _____ °     | $\angle$ L3 _____ ° | $\angle$ Axle _____ ° |

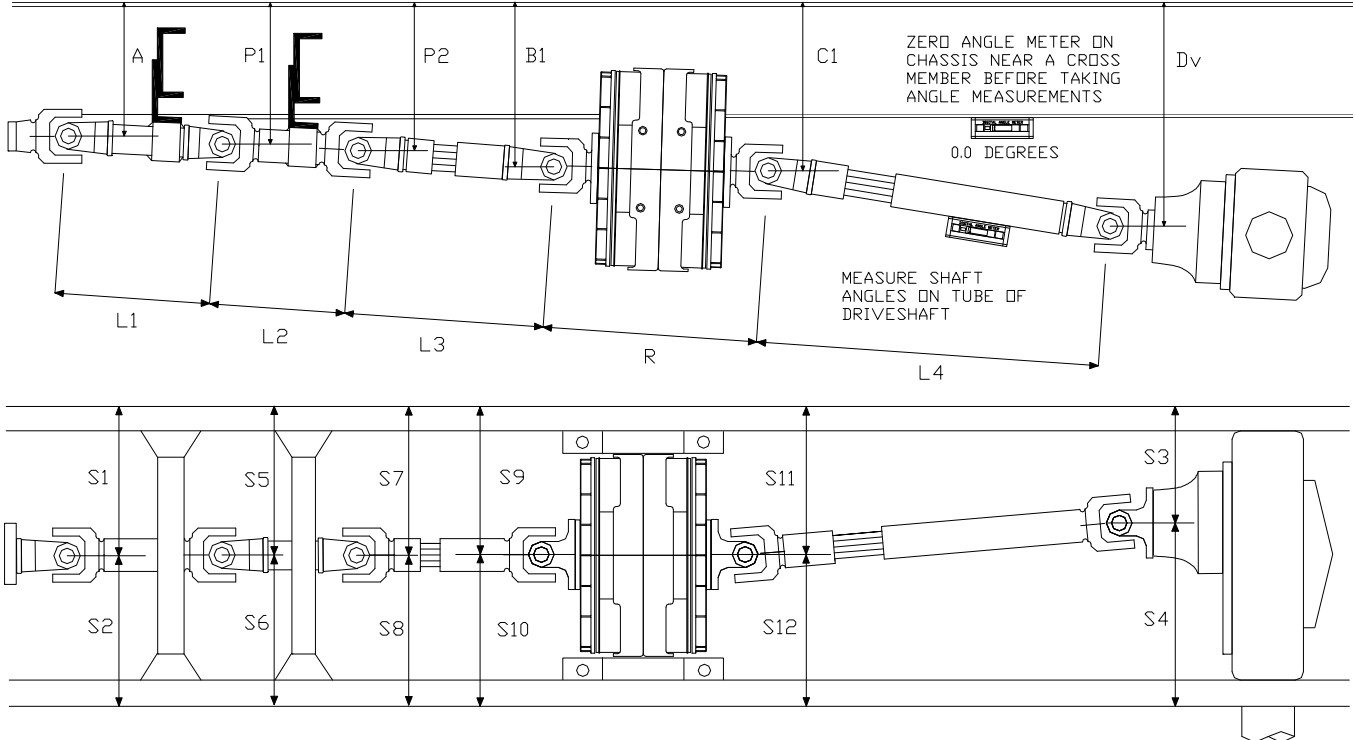
NOTE: Measurements above are referencing from top and outside of chassis, and center to center of u-joints.

This document is the exclusive property of TELMA RETARDER INC. It cannot be copied, modified, forwarded, or given to any third party without prior agreement from TELMA RETARDER INC. Any infringement will immediately involve legal action.



## RETARDER INSTALLATION CHECKLIST

To verify the measurements after installing the Telma, you may use this sheet as a guide. If you have any questions, contact Telma customer support at 800 797-7714 or visit our website at [www.telmausa.com](http://www.telmausa.com).



**Measurements:**

- A \_\_\_\_\_ "
- Dv \_\_\_\_\_ "
- S1 \_\_\_\_\_ "
- S2 \_\_\_\_\_ "
- S3 \_\_\_\_\_ "
- S4 \_\_\_\_\_ "
- S5 \_\_\_\_\_ "
- S6 \_\_\_\_\_ "
- S7 \_\_\_\_\_ "
- S8 \_\_\_\_\_ "
- S9 \_\_\_\_\_ "
- S10 \_\_\_\_\_ "
- S11 \_\_\_\_\_ "
- S12 \_\_\_\_\_ "
- L1 \_\_\_\_\_ "
- L2 \_\_\_\_\_ "
- L3 \_\_\_\_\_ "
- L4 \_\_\_\_\_ "

**PROPER ANGLE MEASUREMENTS**

**NOTE:**

1. USE AN ELECTRONIC ANGLE METER WITH 0.1° ACCURACY
2. ALWAYS ZERO ANGLE METER ON CHASSIS RAIL BEFORE TAKING ANGLE READINGS
3. MEASURE TRANSMISSION, TELMA AND AXLE ANGLES ON CLEAN MACHINED SURFACE OF YOKE

**Angles :**

- <Trans \_\_\_\_\_ °    <L1 \_\_\_\_\_ °    <L2 \_\_\_\_\_ °    <L3 \_\_\_\_\_ °
- <R \_\_\_\_\_ °    <L4 \_\_\_\_\_ °    <Axle \_\_\_\_\_ °

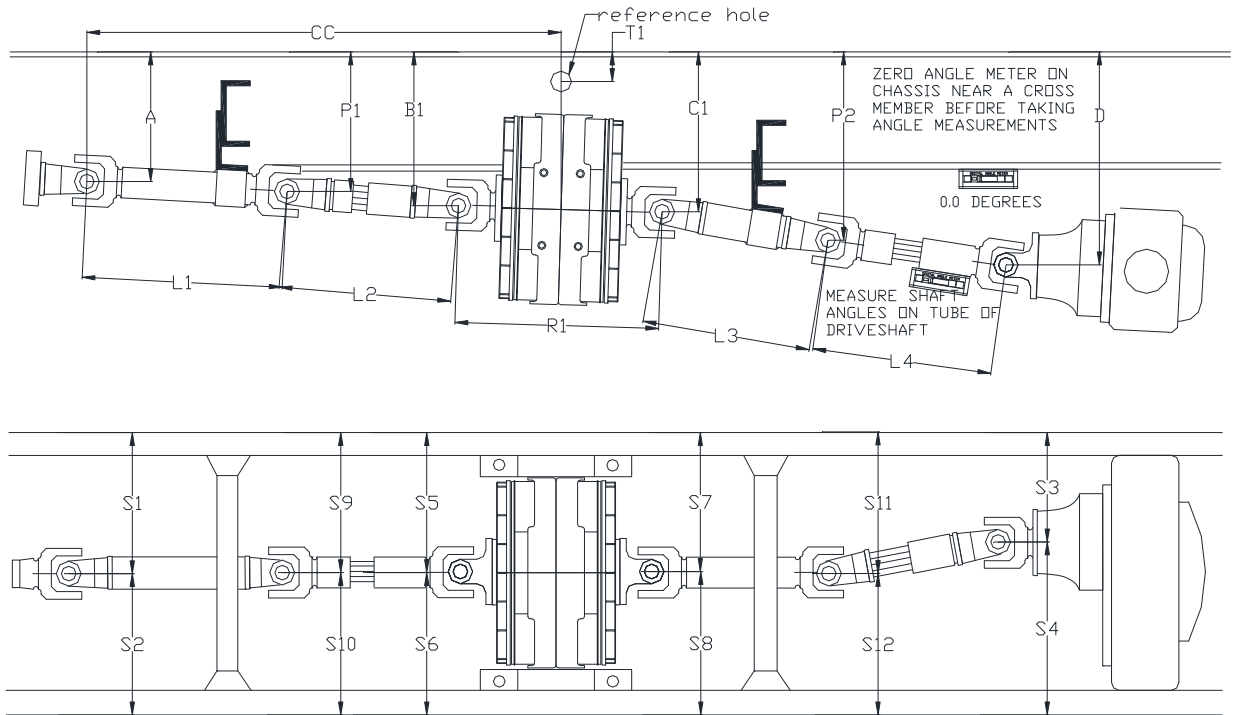
NOTE: Measurements above are referencing from top and outside of chassis, and center to center of u-joints.

This document is the exclusive property of TELMA RETARDER INC. It cannot be copied, modified, forwarded, or given to any third party without prior agreement from TELMA RETARDER INC. Any infringement will immediately involve legal action.



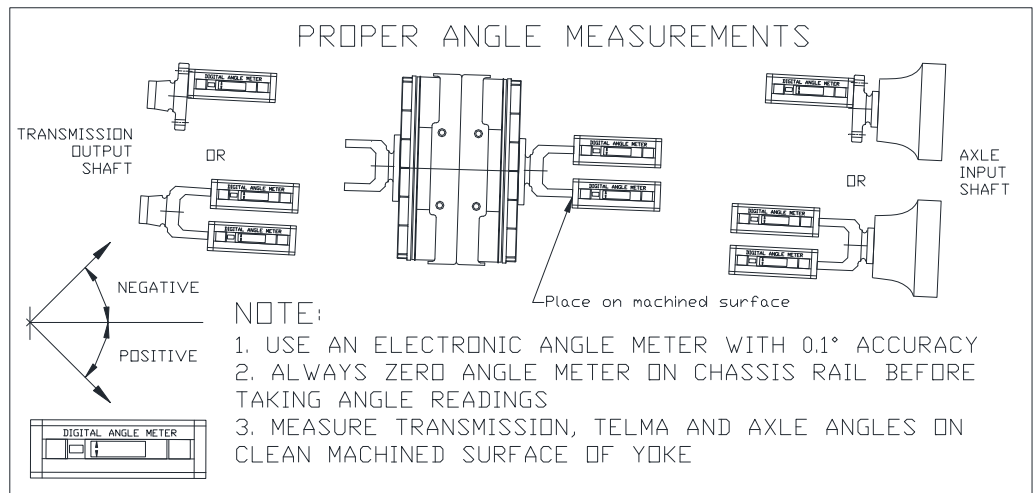
## RETARDER INSTALLATION CHECKLIST

To verify the measurements after installing the Telma, you may use this sheet as a guide. If you have any questions, contact Telma customer support at 800 797-7714 or visit our website at [www.telmausa.com](http://www.telmausa.com).



**Measurements:**

- A \_\_\_\_\_ "
- Dv \_\_\_\_\_ "
- S1 \_\_\_\_\_ "
- S2 \_\_\_\_\_ "
- S3 \_\_\_\_\_ "
- S4 \_\_\_\_\_ "
- S5 \_\_\_\_\_ "
- S6 \_\_\_\_\_ "
- S7 \_\_\_\_\_ "
- S8 \_\_\_\_\_ "
- S9 \_\_\_\_\_ "
- S10 \_\_\_\_\_ "
- S11 \_\_\_\_\_ "
- S12 \_\_\_\_\_ "
- L1 \_\_\_\_\_ "
- L2 \_\_\_\_\_ "
- L3 \_\_\_\_\_ "
- L4 \_\_\_\_\_ ", CC \_\_\_\_\_ ", T1 \_\_\_\_\_ "



**Angles :**

- <Trans \_\_\_\_\_ °    <L1 \_\_\_\_\_ °    <L2 \_\_\_\_\_ °
- <R \_\_\_\_\_ °    <L3 \_\_\_\_\_ °    <L4 \_\_\_\_\_ °    <Axle \_\_\_\_\_ °

This document is the exclusive property of TELMA RETARDER INC. It cannot be copied, modified, forwarded, or given to any third party without prior agreement from TELMA RETARDER INC. Any infringement will immediately involve legal action.