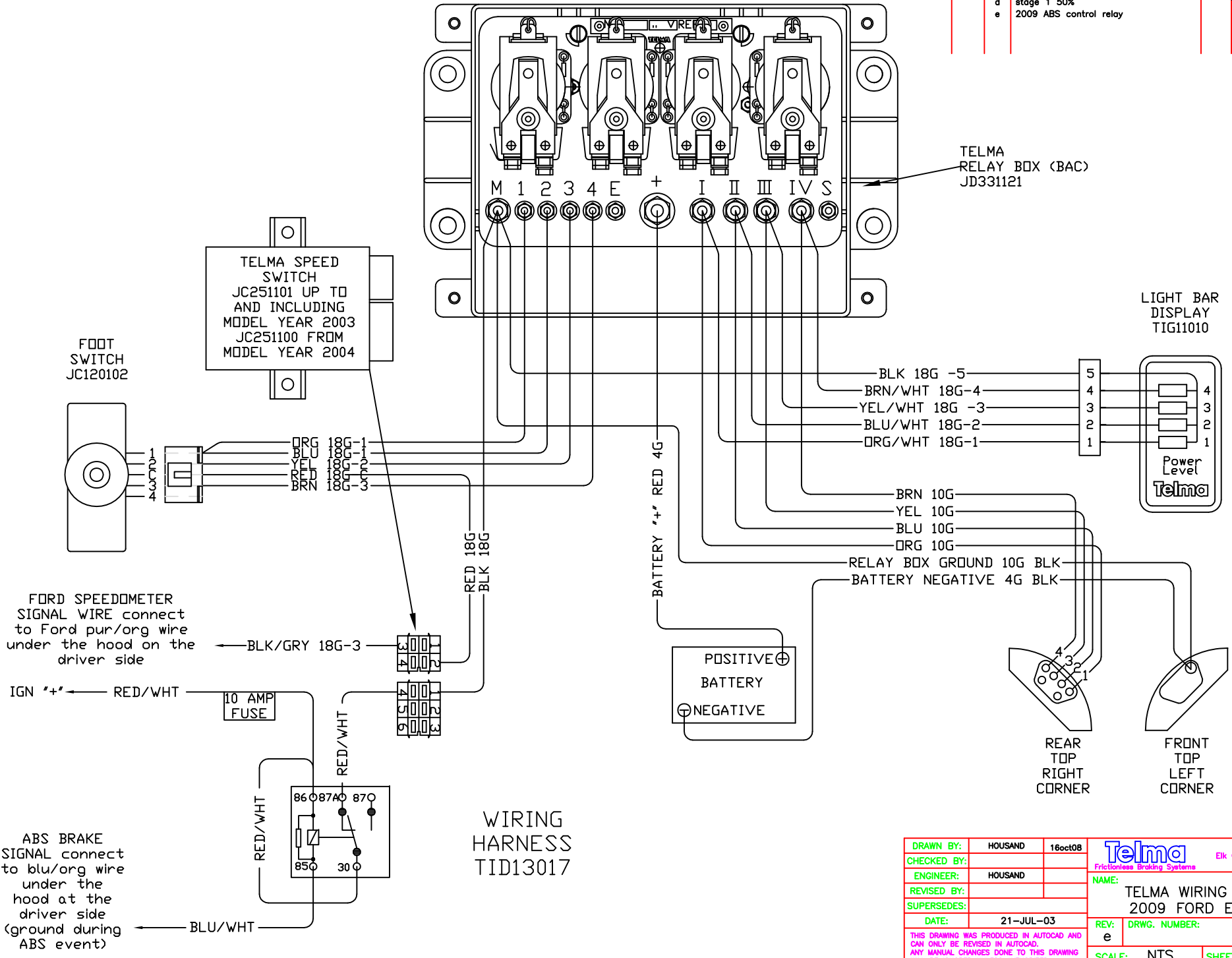


THIS DRAWING IS PROPRIETARY TO TELMA INC. RECEIPT OR POSSESSION CONFERS NO RIGHT TO USE THE SUBJECT MATTER OF THIS DRAWING OR TECHNICAL INFORMATION SHOWN; NOR THE RIGHT TO REPRODUCE THIS DRAWING OR ANY PART EXCEPT FOR THOSE SUPPLIERS OF TELMA INC. WHO RECEIVE A WRITTEN REQUEST FOR MANUFACTURE OR SIMILAR USE.

REVISIONS					
ZONE	LTR	DESCRIPTION	E.C.O.	DATE	APPROVAL
	c	2004 speed switch		25/jan/05	
	d	stage 1 50%		16/apr/07	
	e	2009 ABS control relay		16oct08	



DRAWN BY:	HOUSAND	16oct08
CHECKED BY:		
ENGINEER:	HOUSAND	
REVISED BY:		
SUPERSEDES:		
DATE:	21-JUL-03	

Telma
Frictionless Braking Systems

1521 Morse Avenue
Elk Grove Village, IL U.S.A.
(847) 595.1098

NAME: TELMA WIRING DIAGRAM
2009 FORD E SERIES

REV: e DRWG. NUMBER: TIL14021

SCALE: NTS SHEET: 1 OF 1

THIS DRAWING WAS PRODUCED IN AUTOCAD AND CAN ONLY BE REVISED IN AUTOCAD. ANY MANUAL CHANGES DONE TO THIS DRAWING WILL BE IGNORED UNLESS AUTHORIZED.