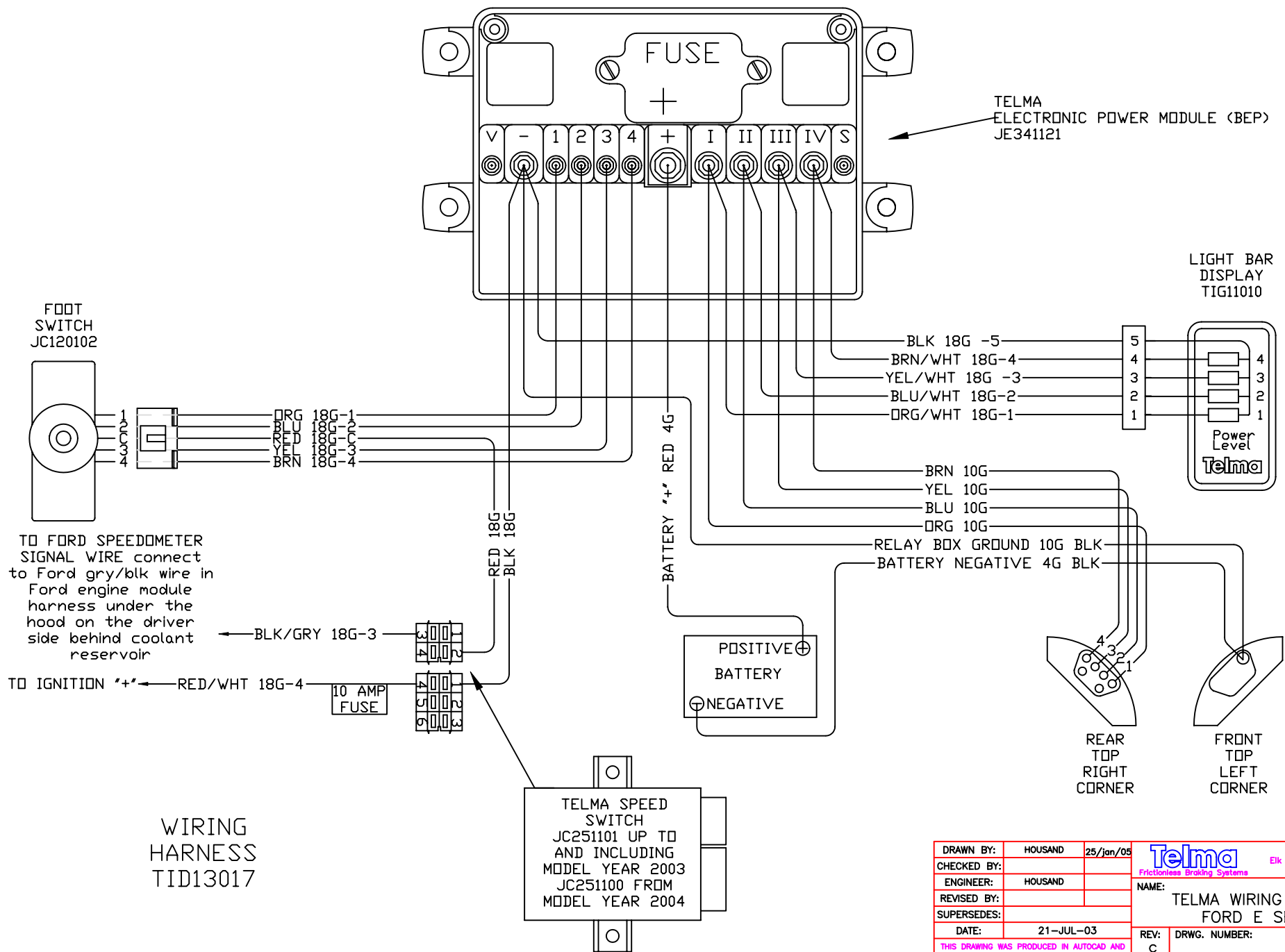


THIS DRAWING IS PROPRIETARY TO TELMA INC. RECEIPT OR POSSESSION CONFERS NO RIGHT TO USE THE SUBJECT MATTER OF THIS DRAWING OR TECHNICAL INFORMATION SHOWN; NOR THE RIGHT TO REPRODUCE THIS DRAWING OR ANY PART EXCEPT FOR THOSE SUPPLIERS OF TELMA INC. WHO RECEIVE A WRITTEN REQUEST FOR MANUFACTURE OR SIMILAR USE.

REVISIONS					
ZONE	LTR	DESCRIPTION	E.C.O.	DATE	APPROVAL
	c	2004 speed switch		25/jan/05	



DRAWN BY:	HOUSAND	25/jan/05	 1521 Morse Avenue Elk Grove Village, IL U.S.A. (847) 595.1098
CHECKED BY:			
ENGINEER:	HOUSAND		
REVISED BY:			
SUPERSEDES:			
DATE:	21-JUL-03		NAME: TELMA WIRING DIAGRAM FORD E SERIES
			REV: DRWG. NUMBER: C TIL14021
THIS DRAWING WAS PRODUCED IN AUTOCAD AND CAN ONLY BE REVISED IN AUTOCAD. ANY MANUAL CHANGES DONE TO THIS DRAWING WILL BE IGNORED UNLESS AUTHORIZED.			SCALE: NTS SHEET: 1 OF 1