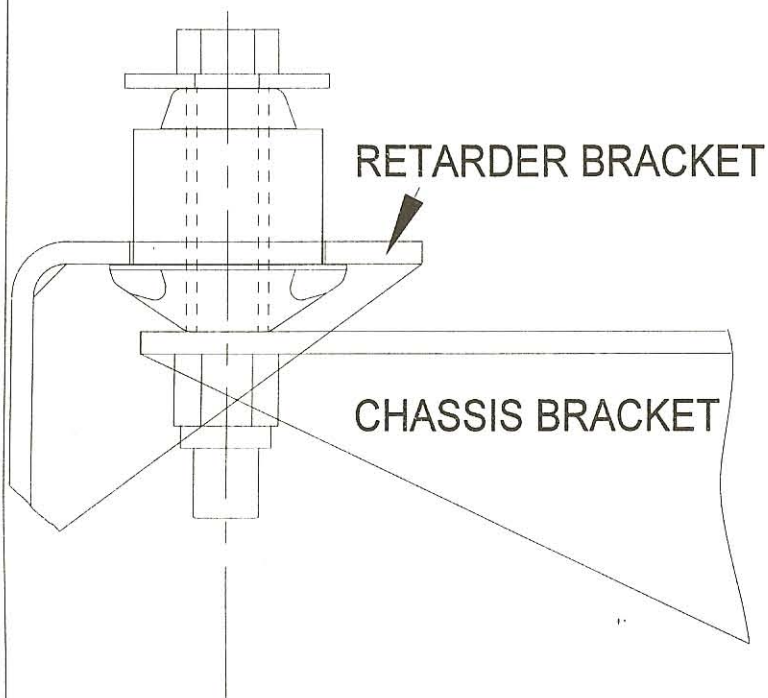


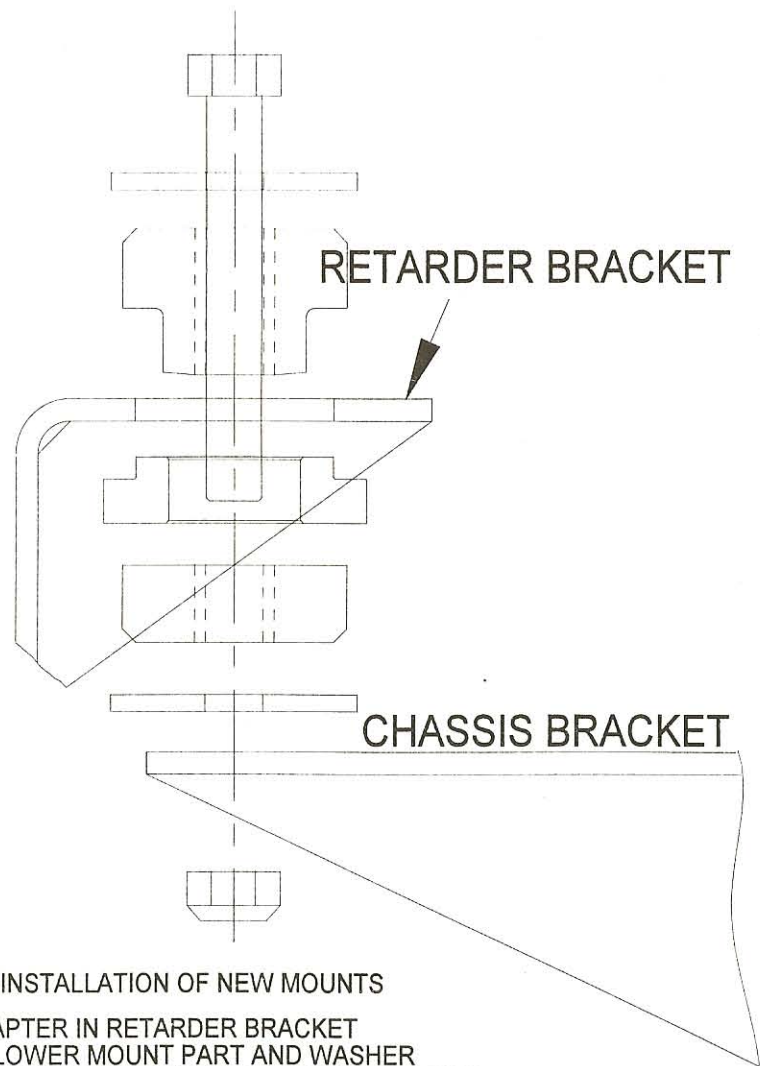
## ORIGINAL MOUNT



### REMOVAL OF OLD MOUNTS

1. AT EACH MOUNT:
  - Remove large mount bolt, nut and washer
  - Remove the three small mount retaining fasteners
2. RAISE THE RETARDER AND REMOVE THE OLD MOUNTS

## NEW TWO PIECE MOUNT WITH ADAPTER



### INSTALLATION OF NEW MOUNTS

1. INSTALL ADAPTER IN RETARDER BRACKET
2. PLACE THE LOWER MOUNT PART AND WASHER BETWEEN THE ADAPTER AND THE CHASSIS BRACKET
3. PLACE THE UPPER MOUNT PART AND WASHER ON TOP OF THE RETARDER BRACKET
4. INSTALL THE MOUNT BOLT
5. LOWER THE RETARDER ON TO THE CHASSIS BRACKET AND MAKE SURE THE ADAPTER AND MOUNTS ARE IN PLACE
6. INSTALL AND TIGHTEN THE NUT TO 150 LB-FT

Document TIL05052  
Revision 0  
For Kit TIK00105  
Created JH-11/10/98